

DS-2CD6D42G2-IS Dual-Directional PanoVu Camera



- High quality imaging with 4 MP resolution
- Supports 2-channel WDR to realize clear imaging against strong back light
- Efficient H.265+ compression technology
- Built-in microphone for real-time audio security
- Easy installation with Power over Ethernet (PoE) technology
- Focus on human and vehicle target classification based on deep learning
- Water and dust resistant (IP67) and vandal resistant (IK10)

▪ Specification

Camera	
Image Sensor	1/1.8" Progressive Scan CMOS
Max. Resolution	2688 × 1520
Min. Illumination	Color: 0.002 Lux @ (F1.6, AGC ON), B/W: 0.001 Lux @ (F1.6, AGC ON), B/W: 0 Lux with IR
Shutter Time	1 s to 1/100,000 s
Day & Night	IR cut filter
Angle Adjustment	Pan: -90° to 90°, tilt: 0 to 60° (2.8 mm), 0 to 70° (4 mm), rotate: 0° to 355°
Lens	
Focal Length & FOV	2.8 mm, horizontal FOV 110.4°, vertical FOV 54.4°, diagonal FOV 136.8° 4 mm, horizontal FOV 89.2°, vertical FOV 47°, diagonal FOV 105.5°
Lens Mount	M12
Aperture	F1.6
DORI	
DORI	2.8 mm: D: 67 m, O: 26 m, R: 13 m, I: 6 m 4 mm: D: 76 m, O: 30 m, R: 15 m, I: 7 m
Illuminator	
Supplement Light Type	IR
Supplement Light Range	Up to 15 m
Smart Supplement Light	Yes
IR Wavelength	850 nm
Video	
Main Stream	Channel 1 & Channel 2: 50 Hz: 20fps (2688 × 1520, 2560 × 1440, 1920 × 1080, 1280 × 720) 60 Hz: 20fps (2688 × 1520, 2560 × 1440, 1920 × 1080, 1280 × 720)
Sub-Stream	Channel 1 & Channel 2: 50 Hz: 20 fps (704 × 576, 640 × 480) 60 Hz: 20 fps (704 × 480, 640 × 480)
Third Stream	Channel 1 & Channel 2: 50 Hz: 20 fps (1920 × 1080, 1280 × 720, 704 × 576, 640 × 480) 60 Hz: 20 fps (1920 × 1080, 1280 × 720, 704 × 480, 640 × 480)
Video Compression	Main stream: H.264+/H.265+/H.265/H.264, Sub-stream: MJPEG/H.265/H.264, Third stream: H.265/H.264
Video Bit Rate	32 Kbps to 8 Mbps
H.264 Type	Baseline Profile, Main Profile, High Profile
H.265 Type	Main Profile
Bit Rate Control	CBR, VBR
Scalable Video Coding (SVC)	H.264 and H.265 encoding
Region of Interest (ROI)	4 fixed regions for each stream
Target Cropping	No
Audio	
Audio Compression	G.711/G.722.1/G.726/MP2L2/PCM/MP3/AAC-LC
Audio Bit Rate	64 Kbps(G.711ulaw/G.711alaw)/32~192 Kbps(MP2L2)/16 Kbps(G.722.1)/PCM/8~320 Kbps(MP3)/16 Kbps(G.726)/16~64 Kbps(AAC-LC)

Audio Sampling Rate	8 kHz/16 kHz/32 kHz/48 kHz
Environment Noise Filtering	Yes
Network	
Protocols	TCP/IP, ICMP, HTTP, HTTPS, FTP, DHCP, DNS, DDNS, RTP, RTSP, RTCP, PPPoE, NTP, UPnP, SMTP, SNMP, IGMP, 802.1X, QoS, IPv6, UDP, Bonjour, SSL/TLS, WebSocket, WebSockets
Simultaneous Live View	Up to 20 channels
API	ISAPI, SDK, ISUP, Open Network Video Interface, EZVIZ, OTAP
User/Host	Up to 32 users 3 user levels: administrator, operator, and user
Security	Password protection, complicated password, HTTPS encryption, 802.1X authentication (EAP-TLS, EAP-LEAP, EAP-MD5), watermark, IP address filter, basic and digest authentication for HTTP/HTTPS, WSSE and digest authentication for Open Network Video Interface, RTP/RTSP OVER HTTPS, Control Timeout Settings, Security Audit Log, TLS 1.2
Network Storage	NAS (NFS, SMB/CIFS), Auto Network Replenishment (ANR), Together with high-end Hikvision memory card, memory card encryption and health detection are supported.
Client	iVMS-4200, Hik-Connect
Web Browser	Plug-in required live view: IE 11, Plug-in free live view: Safari 12+, Local service: Chrome 57.0+, Firefox 52.0+, Not recommended: Safari 11+, Edge
Image	
Image Parameters Switch	Yes
Image Settings	Rotate mode, saturation, brightness, contrast, sharpness, gain, white balance, adjustable by client software or web browser
Day/Night Switch	Day, Night, Auto, Schedule, Alarm Trigger
Wide Dynamic Range (WDR)	120 dB
Image Enhancement	EIS, BLC, HLC, 3D DNR
Privacy Mask	8 programmable polygon privacy masks
Picture Overlay	LOGO picture can be overlaid on video with 128 × 128 24 bit bmp format.
Interface	
Ethernet Interface	1 RJ45 10 M/100 M/1000 M self-adaptive Ethernet port
On-Board Storage	Built-in memory card slot, support microSD/microSDHC/microSDXC card, up to 1024 GB
Built-in Microphone	2 built-in microphones
Audio	1 input (line in), 3.5 mm connector, three-contact, max. input amplitude: 3.3 Vpp, input impedance: 4.7 KΩ, interface type: non-equilibrium, 1 output (line out), 3.5 mm connector, three-contact, max. output amplitude: 3.3 Vpp, output impedance: 100 Ω, interface type: non-equilibrium
Alarm	2 inputs, 2 outputs (max. 36 VDC, 30 mA)
RS-485	1 RS-485 (Half duplex, HIKVISION, Pelco-P, Pelco-D, self-adaptive)
Reset Key	Yes

Event	
Basic Event	Motion detection (support alarm triggering by specified target types (human and vehicle)),video tampering alarm,exception (network disconnected, IP address conflict, illegal login, HDD full, HDD error, abnormal restart),alarm input and output,video quality diagnosis
Smart Event	Line crossing detection, intrusion detection, region entrance detection, region exiting detection, unattended baggage detection, object removal detection, loitering detection, people gathering detection, fast moving detection, parking detection,Scene change detection
Linkage	Upload to FTP/NAS/memory card,notify surveillance center,send email,trigger alarm output,audible warning,trigger recording
Deep Learning Function	
Perimeter Protection	Line crossing, intrusion, region entrance, region exiting Support alarm triggering by specified target types (human and vehicle)
General	
Power	12 VDC ± 20%, 1.2 A, max. 14 W,Ø5.5 mm coaxial power plug, PoE: IEEE 802.3at, Class 4, max. 14 W
Material	Aluminum alloy body
Dimension	164.3 mm × 84.6 mm × 67.4 mm (6.5" × 3.3" × 2.7")
Package Dimension	227 mm × 172 mm × 125 mm (8.9" × 6.8" × 4.9")
Weight	Approx. 810 g (1.8 lb.)
With Package Weight	Approx. 1130 g (2.5 lb.)
Storage Conditions	-40 °C to 60 °C (-40 °F to 140 °F). Humidity 95% or less (non-condensing)
Startup and Operating Conditions	-30 °C to 60 °C (-22 °F to 140 °F). Humidity 95% or less (non-condensing)
Language	33 languages: English, Russian, Estonian, Bulgarian, Hungarian, Greek, German, Italian, Czech, Slovak, French, Polish, Dutch, Portuguese, Spanish, Romanian, Danish, Swedish, Norwegian, Finnish, Croatian, Slovenian, Serbian, Turkish, Korean, Traditional Chinese, Thai, Vietnamese, Japanese, Latvian, Lithuanian, Portuguese (Brazil), Ukrainian
General Function	Heartbeat,mirror,flash log,password reset via email,password protection,one-key reset,anti-banding
Approval	
EMC	CE-EMC: EN 55032:2015+A1:2020, EN 50130-4:2011+A1:2014, EN IEC 61000-3-2:2019+A1:2021, EN 61000-3-3:2013+A1:2019+A2:2021, RCM: AS/NZS CISPR 32: 2015, IC: ICES-003: Issue 7
Safety	CB: IEC 62368-1:2014+A11, CE-LVD: EN 62368-1:2014/A11: 2017
Environment	CE-RoHS: 2011/65/EU, WEEE: 2012/19/EU, Reach: Regulation (EC) No 1907/2006
Protection	IP67: IEC 60529-2013,IK10: IEC 62262:2002

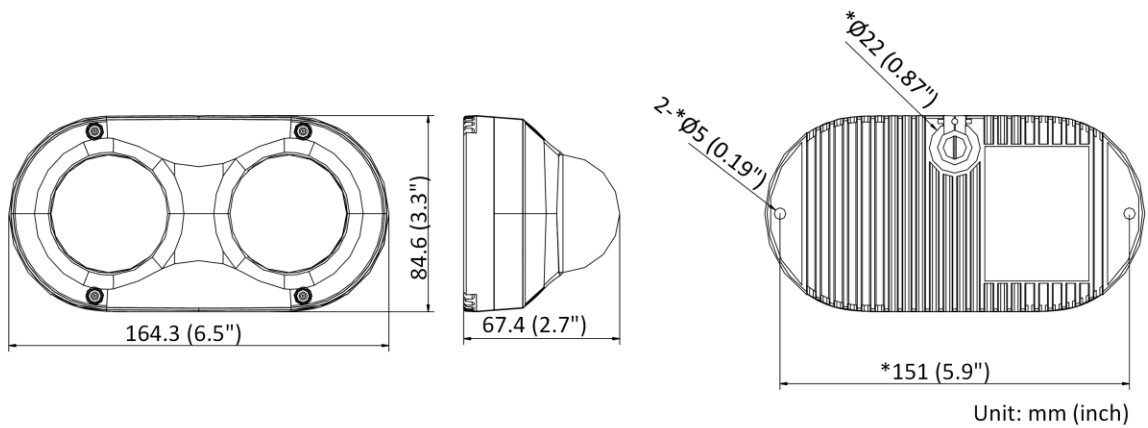
▪ Typical Application

Hikvision products are classified into three levels according to their anti-corrosion performance. Refer to the following description to choose for your using environment.

This model has NO SPECIFIC PROTECTION.

Level	Description
Top-level protection	Hikvision products at this level are equipped for use in areas where professional anti-corrosion protection is a must. Typical application scenarios include coastlines, docks, chemical plants, and more.
Moderate protection	Hikvision products at this level are equipped for use in areas with moderate anti-corrosion demands. Typical application scenarios include coastal areas about 2 kilometers (1.24 miles) away from coastlines, as well as areas affected by acid rain.
No specific protection	Hikvision products at this level are equipped for use in areas where no specific anti-corrosion protection is needed.

▪ Dimension



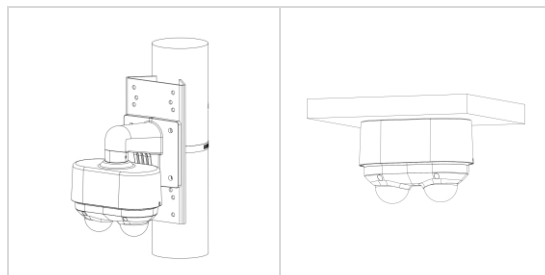
▪ Accessory

▪ Optional



▪ Installation Methods

Vertical Pole Mounting	Junction Box
DS-1270ZJ-DE7+DS-1275ZJ+DS-1273ZJ-130	DS-1280ZJ-DE7



See Far, Go Further



www.hikvision.com
support@hikvision.com

