

Resettable Call Points

CP-32/33 Series

Patented, Safe, Visible, Easy to Install



CP-32G
Standard

CP-32G-LB
With Backlight

CP-32GBZ-LB-ALM
With Backlight & Alarm Cover

The GEM Resettable Call Point features a resettable operating element that produces no dangerous glass shards, making it suitable for use in high traffic areas, such as schools, shopping malls, or commercial buildings. It is supplied with double pole changeover contacts and available with backlit models for easy nighttime operation, or with buzzer models that include a built-in buzzer for emergency alert.

The CP-32BZ-LB-ALM series Alarmed Resettable Call Point is designed with a protective alarm cover to prevent vandalism or accidental misuse. When protective clear cover is lifted, the device sounds a 80 dB beep to warn the user the device is only for emergency use and should not be tampered with. Available with blue backlight for clear viewing in the dark.

The CP-33 series provides detachable terminal blocks for easy and quick installation.

Standard Features & Specifications

- Operating voltage: 12/24 VDC (Default 24VDC for models including voltage selection jumper)
- Contact resistance: 100 mΩ
- Contact rating: 5A 125/250 VAC
- Resettable key included
- Choice of 5 colors (Green/Blue/Yellow/White/Red)
- Detachable terminal blocks for easy installation (For CP-33 series)
- Blue backlight (For backlit models)
- Built-in 80db buzzer (For buzzer models)

Patents, Approvals, and Listings

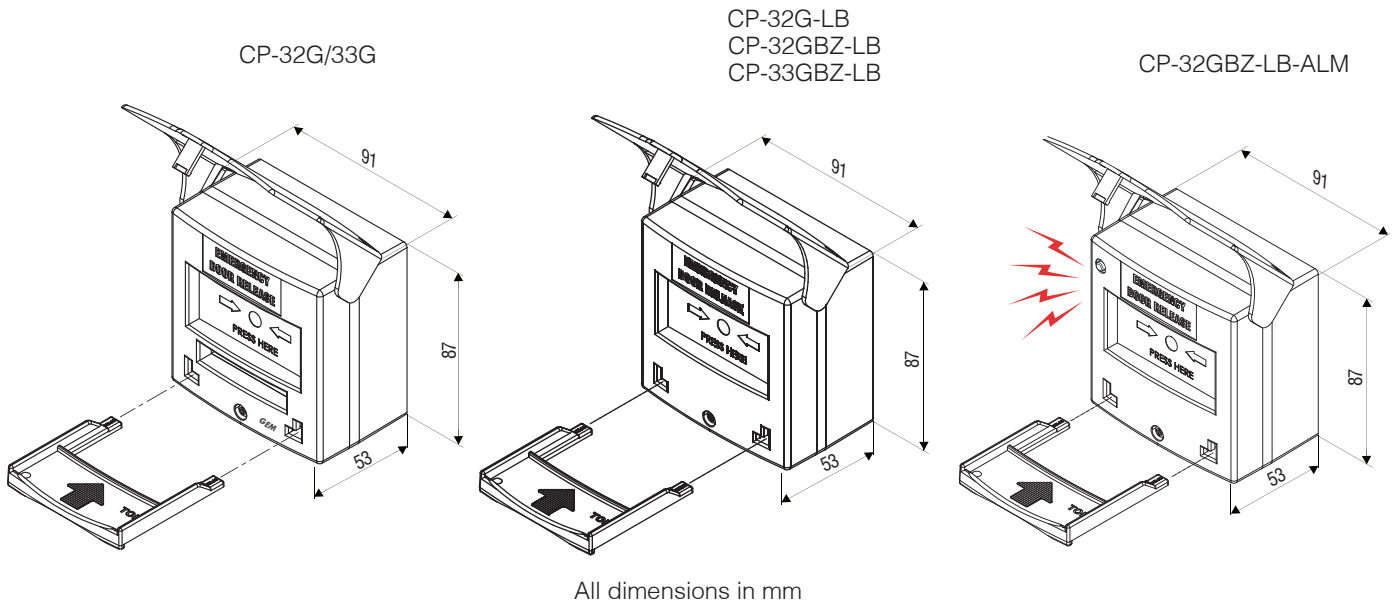
- CE: 332113
- Patent:
 - Taiwan-M444599
 - Australia-2019100322 (CP-32GBZ-LB-ALM)



CP-32/33 Series Resettable Call Points

Models	Contact	Blue Backlight	Built-in Buzzer	Triggering Buzzer Alarm	Case Colors
CP-32G CP-33G	Double pole	—	—	—	Green, Red, Yellow, White, Blue
CP-32G-LB	Double pole	●	—	—	Green, Red, Yellow, White, Blue
CP-32GBZ-LB-ALM	Double pole	●	●	Open cover	Green, Red, Yellow, White, Blue
CP-32GBZ-LB CP-33GBZ-LB	Double pole	●	●	Press plastic element	Green, Red, Yellow, White, Blue

Dimensions



Accessories

P-PL-CP-32-K
Resettable key



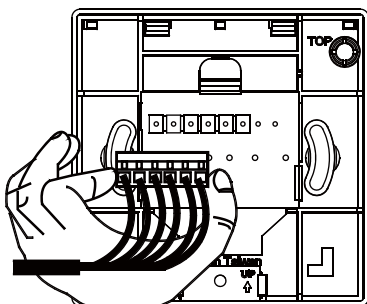
P-PL-CP-32-UC
Clear plastic cover



F04-WB-TV-130K
Bead cable tie



CP-33 Series with Detachable Terminal Blocks



The CP-33 series with Detachable Terminal Blocks is designed with convenient terminal block concept for easy and quick installation. Simply wire the terminal connector and plug it in the back of the CP-33 product. No re-termination is required.

Warranty

The product is warranted against defects in material and workmanship while used in normal service for a period of 1 year from the date of sale to the original client. The GEM policy is one of continual development and improvement; therefore GEM reserves the right to change specifications without notice.