

DS-QAZ1120G1R-B
20 W Network Cabinet Speaker

- Adopt high-speed industrial grade dual core chips, built-in NOR Flash+EMMC dual storage, support dual backup of the system to ensure stable and reliable system performance.
- Support secure startup, user login locking mechanism, and password complexity prompts, support security audit log traceability, and improve system network security.
- Support batch unified management of remote platforms through IP networks (local area networks/public networks) and flexible configuration of local WEB single machines, while also support local audio collection and playback, adapting to various scene applications.
- Support fixed resistance output and can be connected to an external sub speaker to increase the coverage area of the sound field, saving installation and wiring costs.
- Support alarm input, arming schedule, and audio linkage, support TTS speech synthesis and text broadcasting, with natural and smooth standard male and female dual audio options.
- Support horizontal and vertical installation

▪ Specification

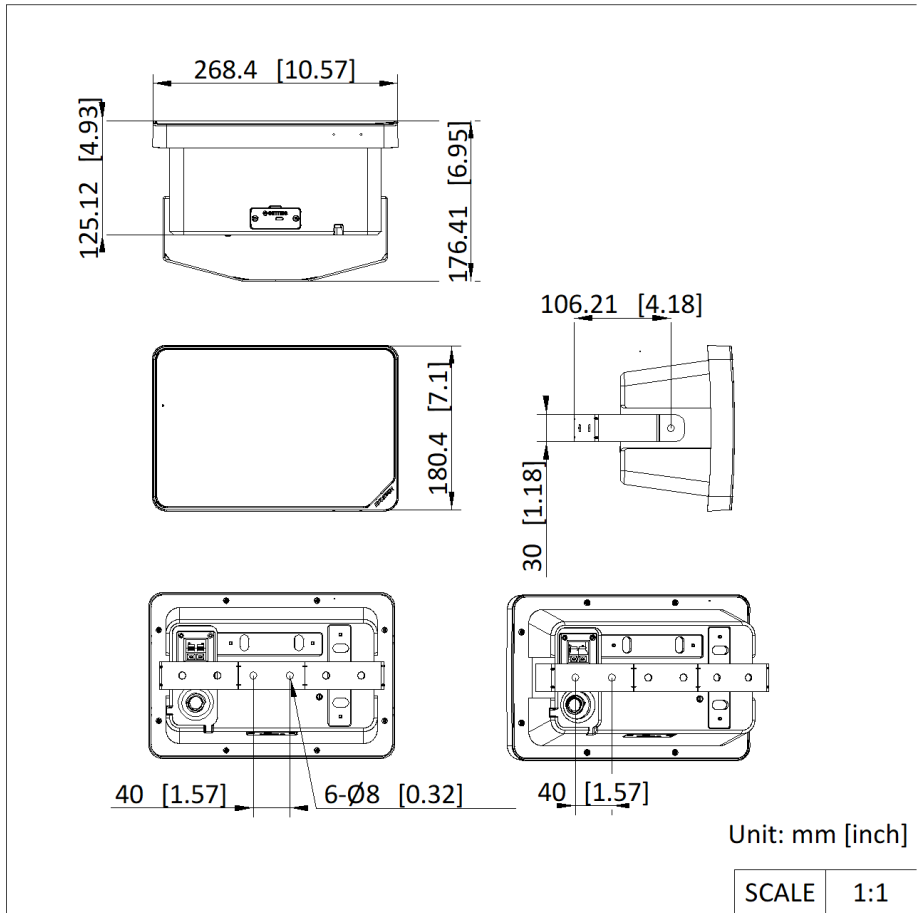
Microphone	
Type	electret
Amount	2
Frequency Response	100 Hz to 18 kHz
Sensitivity	-42 dBV/Pa
Sampling Rate	48 kHz
Quantization Bits	16 bit
Speaker	
Rated Power	20 W
Impedance	8 Ω
Max. Acoustic Pressure	103 dB SPL
Sensitivity(1 m, 1 W)	90 dB
Direction	All directions
Frequency Response	130 Hz to 17.5 kHz
SNR	83 dB
Speaker Unit	5.25" × 1
Function	
Audio Algorithm	AEC、AGC、ANS、DRC
Audio Bit Rate	G.711ulaw(64 Kbps)/G.711alaw(64 Kbps)/MP3(128 Kbps) Sampling bit width: 16 bits
Audio File Format	WAV、MP3、MP2、AAC
NTP Timing	Support
Broadcast	Regular broadcast, live broadcast, emergency broadcast
Two-Way Audio	Support
Speech Synthesis	Language Type: English, Russian, Spanish, Japanese, Thai, Portuguese (Brazil), Korean, French
Network	
Network Protocol	IPv4, HTTP, HTTPS, SIP, SSL/TLS, DNS, NTP, TCP, UDP, IGMP, ICMP, DHCP, ARP
Interface Protocol (API)	ISAPI, ISUP, SIP, RTP, ONVIF
Client	Hik-Connect, ivms/4200, HikCentral Professional, Hik-Partner Pro, NVR, MileStone
Communication	
Communication Method	Support wired network and bluetooth communication
Interface	
Ethernet Interface	RJ45 10 M/100 M Adaptive Ethernet port × 1
Local Storage	Built-in 64 GB EMMC (Audio file storage is 55 GB.)
API	ISAPI, ISUP, SIP, ONVIF
Audio In	3.5 mm audio interface × 1
Audio Out	Fixed resistance output × 1, phoenix terminal, 8 Ω
LED Indicator	Solid green: normal working Flashing green: intercom in progress Solid red: start or network disconnection Flashing red: upgrading
Reset	Support
Volume Knob	Support

General	
Power	24 VDC/2.5 A
Material	Main body&Front cover : plastic, bracket: metal
Operating Temperature	-30 °C to 60 °C (-22 °F to 140 °F)
Operating Humidity	< 90% (No condensation)
Dimension	268.4 mm × 180.4 mm × 125.12 mm (10.57" × 7.1" × 4.93")
Package Dimension	340 mm × 306 mm × 180 mm (13.39" × 12.05" × 7.09")
Weight	Approx. 2 kg (4.4 lb.)
Color	White
With Package Weight	Approx. 2.2 kg (4.8 lb.)
Packing List	Device × 1 U-shaped bracket × 1 Adapter × 1 Screw pack × 1 Installation sticker × 1 Regulatory Compliance and Safety Information × 1
Language	41 languages: English, French, Spanish, German, Italian, Japanese, Thai, Russian, Portuguese (Brazil), Arabic, Bulgarian, Czech, Danish, Greek, Spanish (Mexico), Estonian, Persian, Finnish, Hebrew, Croatian, Hungarian, Indonesian, Kazakh, Korean, Kirgiz, Lao, Lithuanian, Latvian, Dutch, Norwegian, Polish, Portuguese, Romanian, Slovak, Slovenian, Serbian, Swedish, Turkish, Ukrainian, Uzbek, Vietnamese
Bluetooth	Bluetooth 5.0, 10 m
Approval	
RF	CE-RED: EN 301489-1 V2.2.3 (BT or 2.4G), EN 301489-17 V3.2.4 (BT or 2.4G), EN 300 328 V2.2.2 (BT or 2.4G), EN62311 2020(BT or 2.4G) RCM: EN 300 328 V2.2.2 (BT or 2.4G), AS/NZS 2772.2:2016+A1:2018, ARPANSA RPS S-1 Radiation Protection Series S-1 (Rev.1), ARPANSA RPS S01 Advisory Note IC ID: RSS-247(BT or 2.4G) ANATEL: Resolution No. 680/2017,Act No. 14448/2017,Act No. 950/2018,Act No. 1120/2018
EMC	CE-EMC: EN 55032:2015+A11:2020+A1:2020, EN IEC 61000-3-2:2019, EN 61000-3-3:2013+A1:2019+A2:2021, EN 55035:2017+A11:2020 RCM: AS/NZS CISPR 32: 2015 IC: ICES-003: Issue 7
Safety	CB: IEC 62368-1:2014 CE-LVD: EN 62368-1:2014/A11:2017
Environment	CE-RoHS: 2011/65/EU WEEE: 2012/19/EU Reach: Regulation (EC) No 1907/2006

▪ Available Model

DS-QAZ1120G1R-B
DS-QAZ1120G1R-B/BLACK

▪ Dimension



See Far, Go Further



www.hikvision.com
support@hikvision.com

