

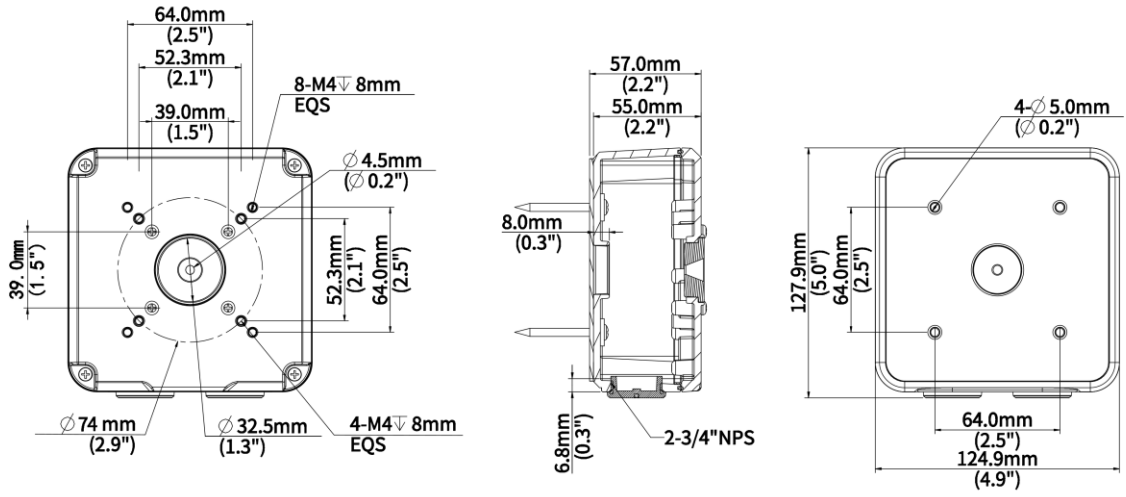
Bullet Junction Box(Support wiring from behind)
TR-JB07-D-IN-V2-BK



Specifications

<i>Model</i>	TR-JB07-D-IN-V2-BK
<i>Bracket</i>	
<i>Application</i>	Outdoor or indoor cable junction box for IPC23XX/222X/2AX/2K2X/2B1X, IPC74X and IPC252/26X series(Extra back outlet)
<i>Bracket Dimensions</i>	124.9 mm × 127.9 mm × 57.0 mm (4.9" × 5.0" × 2.2")
<i>Bracket Weight</i>	0.58 kg (1.29 lb)
<i>Bracket Material</i>	Aluminum alloy

Dimensions



Zhejiang Uniview Technologies Co., Ltd.



<http://www.uniview.com>



overseasbusiness@uniview.com; globalsupport@uniview.com



No. 369, Xietong Road, Xixing Sub-district, Binjiang District, Hangzhou City, 310051, Zhejiang Province, China
(Zhejiang) Pilot Free Trade Zone, China



©2023-2025 Zhejiang Uniview Technologies Co., Ltd. All rights reserved.

*Product specifications and availability are subject to change without notice.

*Despite our best efforts, technical or typographical errors may exist in this document.

Uniview cannot be held responsible for any such errors and reserves the right to change the contents of this document without prior notice.