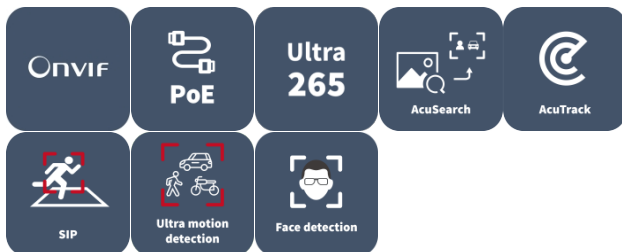


Network Video Recorder NVR501-B-P-IQ Series



Features

- Support Ultra 265/H.265/H.264 video formats
- Support 4/16-channel input
- Support Plug & Play with 4/8 independent PoE network interfaces
- Support 1-ch HDMI, 1-ch VGA. HDMI up to 4K (3840x2160) resolution
- Support VGA and HDMI simultaneous output
- Support up to 16 Megapixels resolution recording
- Support ANR technology to enhance the storage reliability when the network is disconnected
- Support cloud upgrade

Specifications

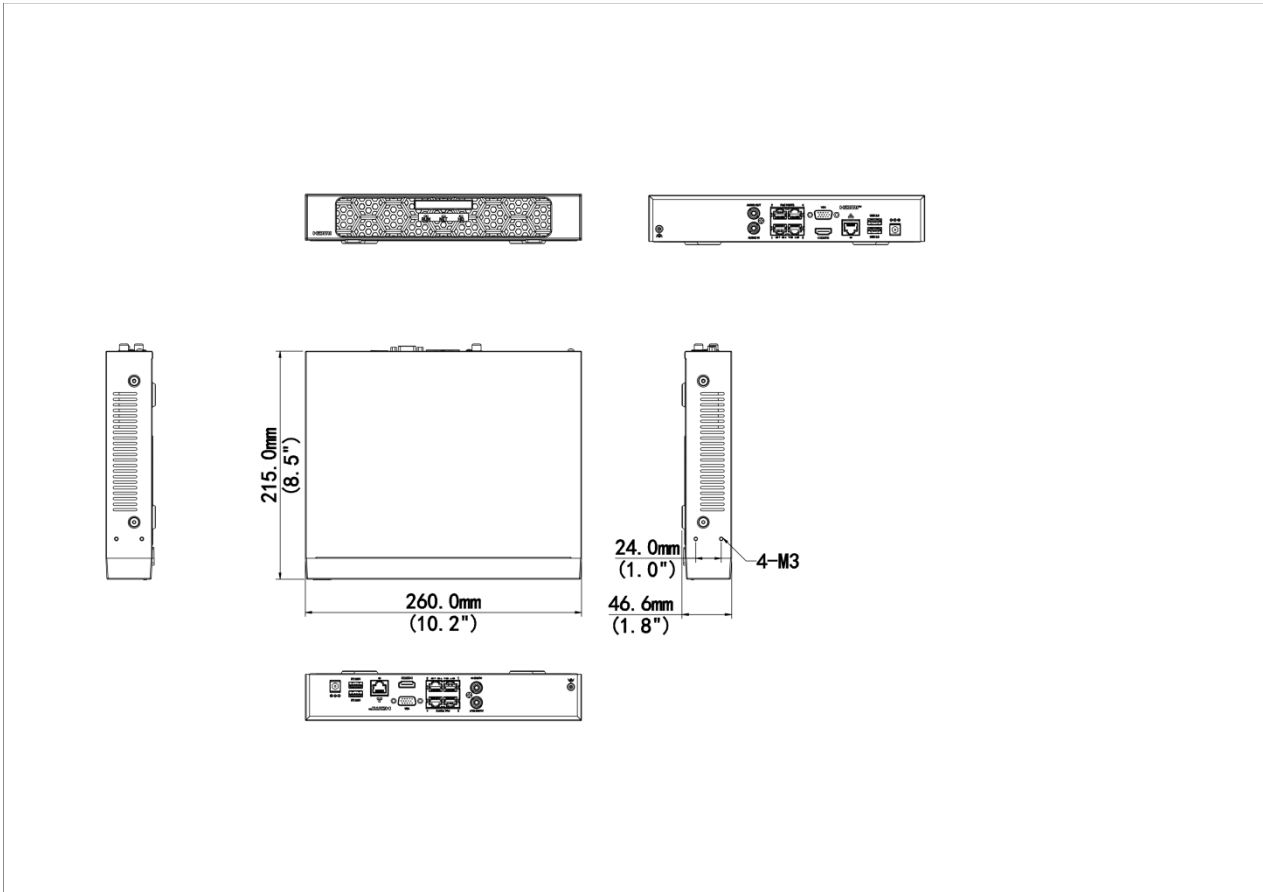
Model	NVR501-04B-P4-IQ	NVR501-08B-P8-IQ
Decoding		
Decoding Format	Ultra 265, H.265, H.264	
Decoding Capability	Smart Off: 2 x 16MP@30, 2 x 12MP@30, 4 x 4K@30 Smart On: 2 x 12MP@30, 2 x 4K@30, 4 x 4MP@30	Smart Off: 2 x 16MP@30, 2 x 12MP@30, 4 x 4K@30, 8 x 4MP@30 Smart On: 2 x 12MP@30, 2 x 4K@30, 6 x 4MP@30, 8 x 3MP@30
Decoding Capability Description	The resolution of each channel cannot exceed 8192 pixels in length and 4096 pixels in width	
Audio Compression	G.711A, G.711U	
Network		
Incoming Bandwidth	80 Mbps	
Outgoing Bandwidth	80 Mbps	
Remote Users	128	
Protocols	TCP/IP, P2P, NTP, DHCP, PPPoE, HTTP, HTTPS, DNS, DDNS, SNMP, SMTP, RTSP, IPv6, IPv4	
Browser (Plugin)	IE10, IE11, Chrome 45+, Edge 79+, Firefox 52+	
Video/Audio Input		
IP Video Input	4-ch	8-ch
RCA Audio Input	1-ch	
Peripheral Input		
Ip Speaker	16-ch	
POS	All channels	
Video/Audio Output		
Video Output	Support 1-ch HDMI, 1-ch VGA, HDMI and VGA simultaneous output	
HDMI Output	4K (3840 × 2160)/30 Hz, 1920 × 1080/60 Hz, 1920 × 1080/50 Hz, 1600 × 1200/60 Hz, 1280 × 1024/60 Hz, 1280 × 720/60 Hz, 1024 × 768/60 Hz	
VGA Output	1920 × 1080/60 Hz, 1920 × 1080/50 Hz, 1600 × 1200/60 Hz, 1280 × 1024/60 Hz, 1280 × 720/60 Hz, 1024 × 768/60 Hz	
RCA Audio Output	1-ch	
Liveview Display	1/4	1/4/6/8/9
Corridor Mode Screen	3/4	3/4/5/7/9
Two-way Audio		
Two-way Audio	1-ch, RCA (Using the audio input and output)	
Snapshot		
FTP/Schedule/Event Snapshot	4-ch snapshot (max. 8 MP (3840 × 2160) video resolution, with 1080P snapshot resolution)	
Recording		
Recording Resolution	16 MP/12 MP/8 MP/6 MP/5 MP/4 MP/3 MP/1080P/960P/720P/D1/2CIF/CIF	
Num of Concurrent Playback	16-ch	
Smart Function		

Smart by IPC	All channels (up to 8 images/s in total) Face Detection, Face Comparison, Vehicle Detection (LPR), Temperature Detection, SIP, UMD, Video Metadata, Traffic Monitoring	
Smart by NVR	Face Detection, Face Comparison, Smart Intrusion Prevention (SIP), Ultra Motion Detection (UMD)	
Smart by NVR Analyzer Mode	Single Mode (Face Recognition), Single Mode (SIP), Single Mode (UMD), Single Mode (AcuSearch/AcuTrack), Modes cannot active simultaneously, only one mode can active at a time.	
VCA Search	AcuSearch, AcuTrack, Face Snapshot Search, Face Comparison Search, Motor Vehicle Search, Non-Motor Vehicle Search, Human Body Search, General Search, People Counting Report, Heat Map	
AcuSearch		
Acu Search Performance	All channels with UNV SIP/UMD Camera	
AcuTrack		
Acu Track Performance	All channels with UNV SIP/UMD Camera	
by NVR	Up to 4-ch with UNV Face Detection Camera Up to 2-ch with normal camera (UNV and Third-part brand, 2-ch 2MP, 1-ch 4MP)	Up to 8-ch with UNV Face Detection Camera Up to 2-ch with normal camera (UNV and Third-part brand, 2-ch 2MP, 1-ch 4MP)
Plate Comparison		
Vehicle Number Library	Up to 5 vehicle picture libraries, with up to 25,000 vehicle pictures in total	
SIP		
SIP by NVR with normal cameras	Up to 4-ch with normal camera (UNV and Third-part brand, 4-ch 2MP, 2-ch 4MP, 1-ch 4K)	
UMD		
UMD by NVR with normal cameras	Up to 4-ch with normal camera (UNV and Third-part brand, 4-ch 2MP, 2-ch 4MP, 1-ch 4K)	Up to 8-ch with normal camera (UNV and Third-part brand, 8-ch 2MP, 4-ch 4MP, 2-ch 4K)
Capacity of Smart Snapshots		
Capacity of Snapshot Records	500 thousand records for face snapshot, One and a half millions records for SIP and vehicle	
Alarm		
General Alarm	Defocus Detection, Scene Change Detection, Object Left Behind, Object Removed, Auto Tracking, Motion Detection, Tampering, Human Body Detection, Video Loss, Alarm Input, Audio Detection	
Alert Alarm	IP Conflict, Network Disconnected, Disk Offline, Disk Abnormal, Illegal Access, Hard Disk Space Low, Hard Disk Full, Recording/Snapshot Abnormal, Array Damaged, Array Degraded	
GUI Language		
GUI Language	38 languages: Simplified Chinese, Traditional Chinese, English, Vietnamese, Thai, Turkish, Spanish (Latin America), Portuguese (Brazil), Spanish, Portuguese, French, German, Italian, Dutch, Polish, Czech, Hungarian, Slovak, Russian, Hebrew, Arabic, Ukrainian, Estonian, Bulgarian, Greek, Romanian, Danish, Swedish, Norwegian, Finnish, Croatian, Slovenia, Serbia, Korean, Japanese, Latvian, Lithuanian, Persian	
Hard Disk		
SATA	1 SATA Interface	
Capacity	Up to 24 TB for each HDD (The maximum HDD capacity varies with environment temperature and hard disk size, The environment temperature for use should not exceed 40°C.)	
External Interface		
Network Interface	1 RJ45 10 M/100 M self-adaptive Ethernet Interface	

Network Working Mode	Single port, not involved	
USB	Front panel: 1 × USB2.0, Rear panel: 1 × USB3.0	
RS485	N/A	
RS232	N/A	
Alarm In	N/A	
Alarm Out	N/A	
Power Supply	DC 48 V/1.35 A	DC 52 V/1.8 A
PoE		
PoE Interface	4 RJ45 10 M/100 M self-adaptive Ethernet Interface	8 RJ45 10 M/100 M self-adaptive Ethernet Interface
Max Power	Max 30 W for single port, Max 50 W in total	Max 30 W for single port, Max 75 W in total
Supported Standard	IEEE 802.3at, IEEE 802.3af	
Working Environment		
Working Temperature	-10 °C to 50 °C (14 °F to 122 °F)	
Working Humidity	≤ 90% RH (non-condensing)	
Power Consumption (without HDD)	≤ 8W	
Dimensions		
Weight (without HDD)	≤ 1Kg (2.2lb)	
Height	1U	
Dimensions	260mm × 215mm × 46.6mm (10.2" × 8.5" × 1.8")	
Certification		
Certification	CE; FCC; UL; RoHS; WEEE	
CE	EN 55032, EN 61000-3-3, EN IEC 61000-3-2, EN 55035	
FCC	Part15 Subpart B	

Dimensions

Aggregate product size diagram using NVR501-04B-P4-IQ as an example



Accessories

RM-1U-260

1 HDD 1U NVR Rack Mount



Unlimited New View

Zhejiang Uniview Technologies Co., Ltd.



<http://www.uniview.com>



overseasbusiness@uniview.com; globalsupport@uniview.com



No. 369, Xietong Road, Xixing Sub-district, Binjiang District, Hangzhou City, 310051, Zhejiang Province, China



©2023-2025 Zhejiang Uniview Technologies Co., Ltd. All rights reserved.

*Product specifications and availability are subject to change without notice.

Despite our best efforts, technical or typographical errors may exist in this document. Uniview cannot be held responsible for any such errors and reserves the right to change the contents of this document without prior notice.