

TE10-110-RX



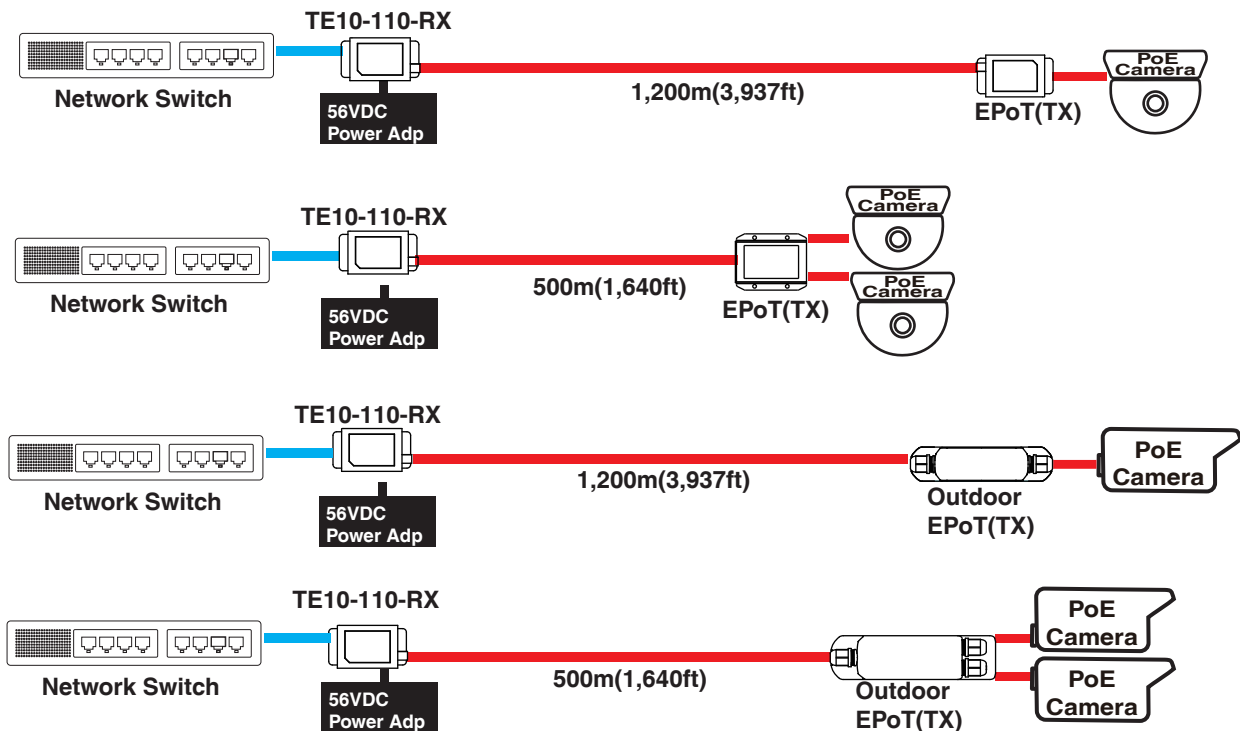
1-Port EPoT RX Adapter

TE10-110-RX is an EPoT (Ethernet & Power over UTP/STP Cable) receiver(RX) equipped with 1 EPoT port & 1 LAN port. This cutting-edge model is a long range PoE solution providing data & power to EPoT TX adapter and PoE IP camera over single UTP/STP cable up to 1,200m (3,937ft).

Features

- One RJ45 EPoT port & one 10/100Mbps LAN PoE PD port
- Extends PoE to Transmitter(TX) and PoE IP camera
- Long-range IP data & PoE over 4-pair/2-pair/1-pair UTP /STP cat.5e/6 cables
- Plug-and-Play connection
- Supports peer-to-peer, daisy-chain, and failover Ring topologies
- Eliminates the need for intermediate Ethernet switches & power supplies for long-range deployment
- Optional 19" 8-bay rack mount chassis(CH-110)

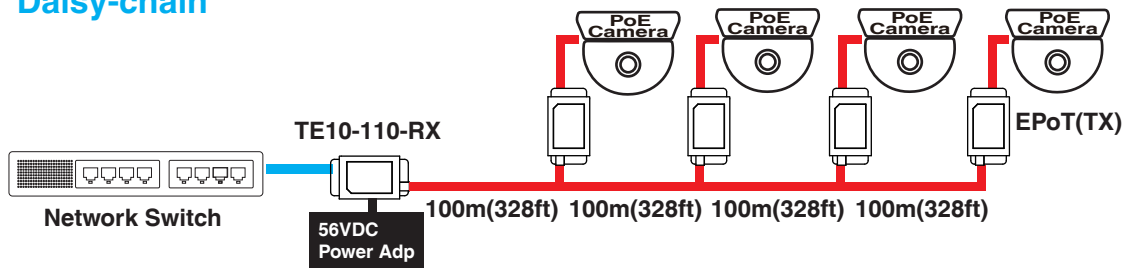
Applications



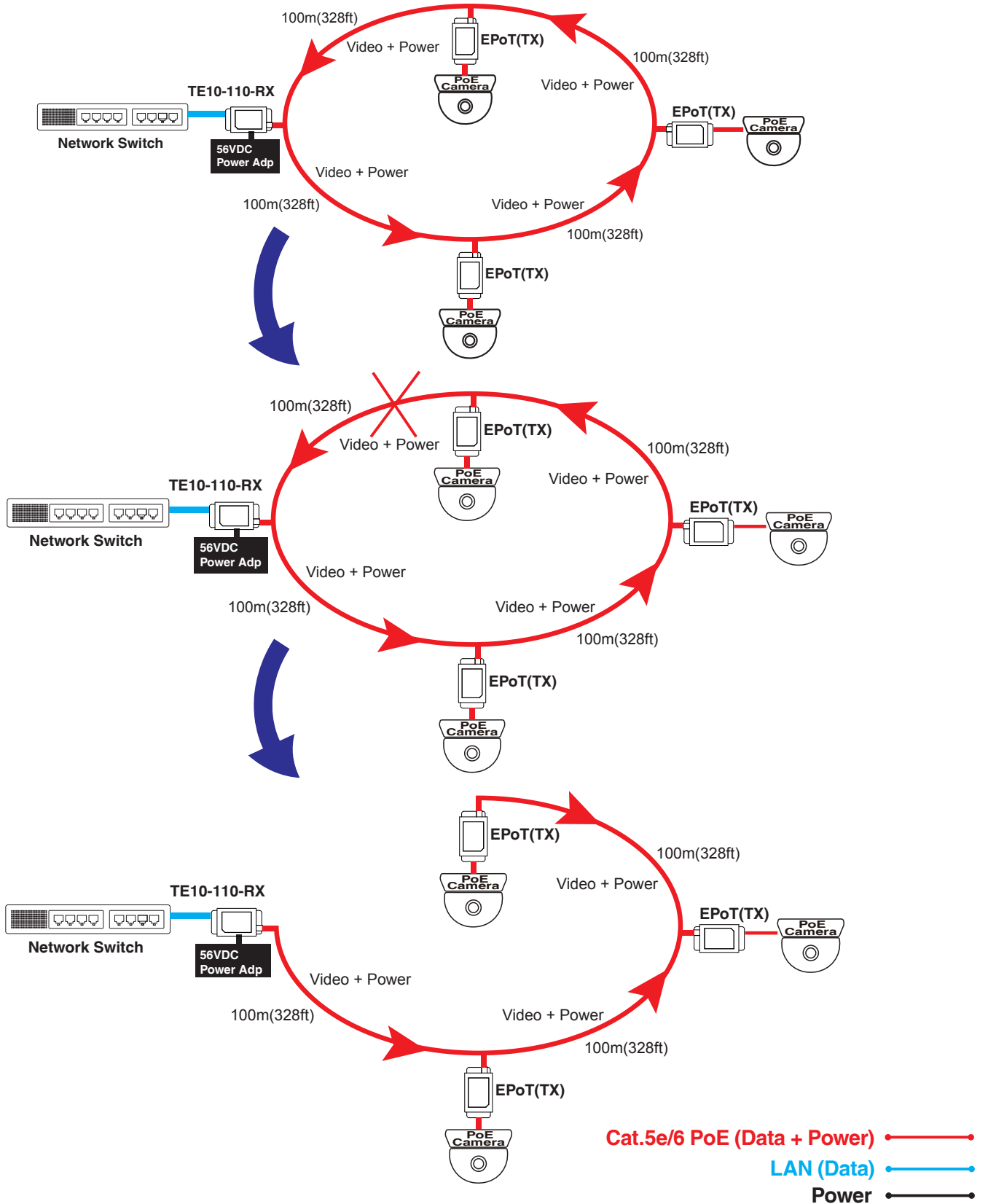
● Cat.5e/6 PoE (Data + Power) ● LAN (Data) ● Power

Applications

EPoT Daisy-chain



EPoT Power & Video Failover



Specifications

Interface / Distance

EPoT Port	RJ45 x1
10/100 Mbps Ethernet	RJ45 x1
Transmission mode	Receiver RX mode
Maximum TX quantity	7
MAX.(Power+Data) Distance	100Mbps, 9.7W@1,200m(3,937ft)
Cable Type	UTP/STP cat.5e/6 Cable
Bandwidth	600 Mbps

Power Specifications

Power supply	Input: 100-240VAC Output: 65W@56VDC Power Adapter
Unit Power Consumption	3 watts
EPoT Surge Protection	6KV

Physical Specifications

Dimensions (LxWxH)	109 x 51.5 x 23 mm (4.29x2.03x0.91")
Weight	0.2 kg (0.44 lb)
Connectors	EPoT RJ45 x1, LAN RJ45 x1, DC Jack x1
Mounting Type	Wall mount

Environmental Specifications

Operating Temperature	-20°C ~ 60°C (-28°F ~ 140°F)
Storage Temperature	-20°C ~ 85°C (-28°F ~ 185°F)
Relative Humidity	5% ~ 95% non-condensing

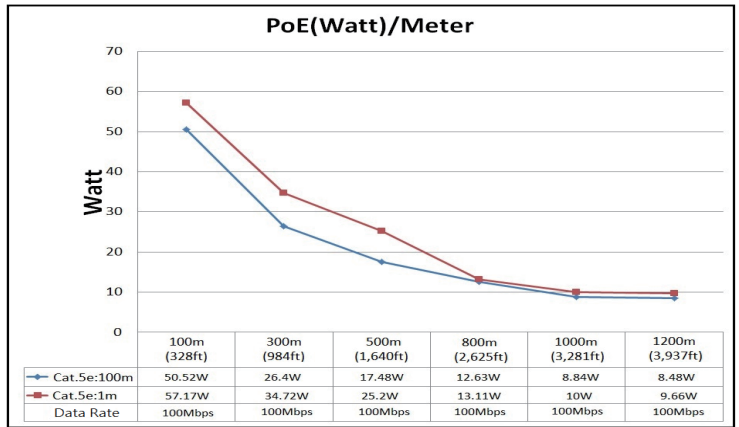
Certifications

EMC	CE, FCC, VCCI, C-Tick
Safety	EN60950-1

LEDs

LAN	Ethernet status
PWR	Power status
LINK	EPoT TX device connect status

Power / Distance Chart



Related Products

EPoT (TX)



TE10-110-TX
• 1-to-1 EPoT adapter(TX)



TE12-120-TX
• 1-to-2 EPoT adapter(TX)



TE22-110-TX
• 1-to-1, Outdoor EPoT adapter(TX)with IP67 / IK10 protection



TE22-120-TX
• 1-to-2, Outdoor EPoT adapter(TX) with IP67 / IK10 protection

EPoT Camera Housing (TX)



A5000-T
• EPoT Camera Housing

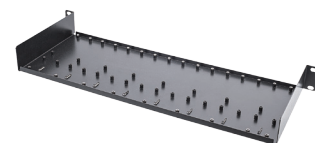


A5100-T
• EPoT Camera Housing
• Germanium window



A5020-T
• EPoT Camera Housing with IR illuminator (MAX: 50m)

Accessories



CH-100
• 19", 1U 4-bay rack mount chassis