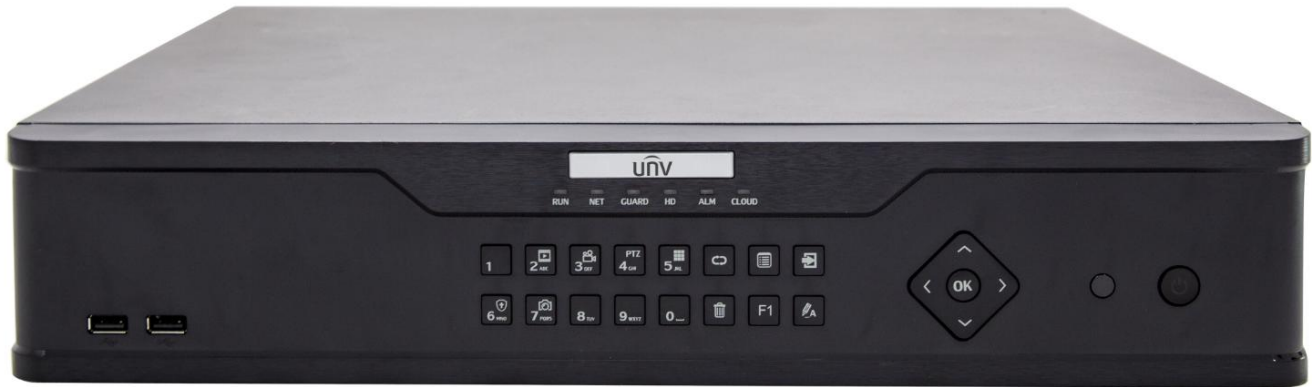


Network Video Recorder

NVR304EP Series



Key Features

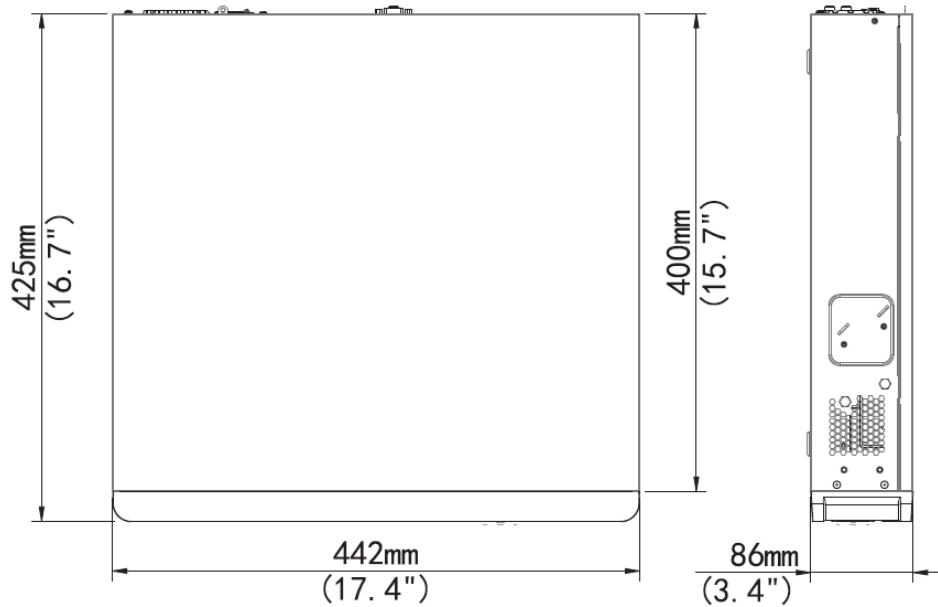
- 16/32-channel input
- Third-party IP cameras supported with ONVIF conformance
- Support 2-ch HDMI, 1-ch VGA, HDMI2 at up to 4K(3840x2160) resolution
- Up to 12 Megapixels resolution recording
- Support H.265/H.264 video formats
- Accurate retrieval, instant playback
- 4 SATA HDDs, Up to 8TB for each HDD
- Support various VCA detection alarm and VCA search
- Support for 12V Power output
- Plug & Play with up to 16 independent PoE network interfaces
- Support for P2P, UPnP, NTP, DHCP, PPPoE
- Support for mobile client access

Specifications

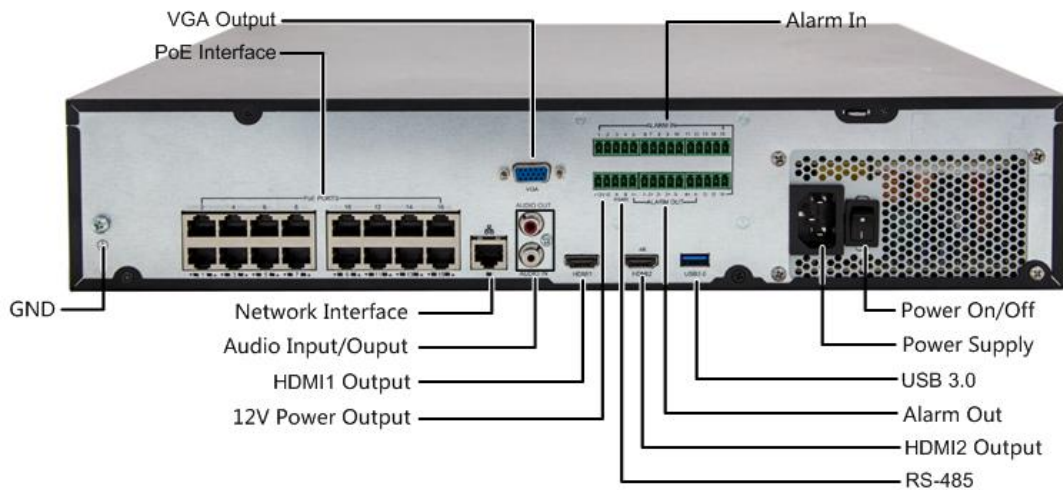
Model	NVR304-16EP	NVR304-32EP
Video/Audio Input		
IP Video Input	16-ch	32-ch
Two-way Audio Input	1-ch, RCA	
Network		
Incoming Bandwidth	160Mbps	320Mbps
Outgoing Bandwidth	320Mbps	
Remote Users	128	
Video/Audio Output		
HDMI/VGA output	HDMI1/VGA: 1920x1080p /60Hz, 1920x1080p /50Hz, 1600x1200 /60Hz, 1280x1024 /60Hz, 1280x720 /60Hz, 1024x768 /60Hz HDMI2: 4K (3840x2160) /60Hz, 4K (3840x2160) /30Hz, 1920x1080p /60Hz, 1920x1080p /50Hz, 1600x1200 /60Hz, 1280x1024 /60Hz, 1280x720 /60Hz, 1024x768 /60Hz	
Recording Resolution	12MP/8MP/6MP/5MP/4MP/3MP/1080p/960p/720p/D1/2CIF/CIF	
Audio Output	1-ch, RCA	
Synchronous Playback	16-ch	
Decoding		
Compression	H.265/H.264	
Live view/Playback	12MP/8MP/6MP/5MP/4MP/3MP/1080p/960p/720p/D1/2CIF/CIF	
Capability	4 x 12MP@20, 4 x 4K@30, 8 x 4MP@20, 16 x 1080p@25, 32 x 720p@25	
Hard Disk		
SATA	4 SATA interfaces	
Capacity	up to 8TB for each HDD	
External Interface		
Network Interface	1 RJ-45 10M/100M/1000M self-adaptive Ethernet Interface	
Serial Interface	1 x RS485	
USB Interface	Front panel: 2 x USB2.0 Rear panel: 1 x USB3.0	
Alarm In	16-ch	
Alarm Out	4-ch	
Power Output	12 VDC	
PoE		
Interface	16 independent 100 Mbps PoE network interfaces	
Max Power	Max 30W for single port Max 200W in total (12.5W for each)	
Supported Standard	IEEE 802.3at	
General		
Power Supply	100 ~ 240 VAC	
Consumption (without HDD)	≤ 20 W	
Working Temperature	-10°C ~ + 55°C (+14°F ~ +131°F)	

Working Humidity	10% ~ 90%
Dimensions	86 × 442 × 425mm (3.4" × 17.4" × 16.7")
Weight (without HDD)	≤ 5.24 Kg (11.55 lb)

Dimensions



Rear Panel



Zhejiang Uniview Technologies Co., Ltd.

Building No.10, Wanlun Science Park, Jiangling Road 88, Binjiang District, Hangzhou, Zhejiang, China

Email: overseasbusiness@uniview.com; globalsupport@uniview.com

<http://sgcdn.uniview.com>

©2016-2017 Zhejiang Uniview Technologies Co.,Ltd. All rights reserved.

*Product specifications and availability are subject to change without notice.