

DS-2CD4A26FWD-(IZ)(IZS)(IZHS)(LZS)/P 2 MP ANPR Ultra-Low Light Bullet Camera

DARKFIGHTER



smart IPC

The ANPR series ultra-low light smart cameras are able to capture vehicle and recognize vehicle number plate of various countries and regions in dim light environment.

DS-2CD4A26FWD-(IZ)(IZS)(IZHS)(LZS)/P offers high resolution, 120dB WDR, Auto-iris, PoE, Defog, EIS, 3D DNR, etc., to meet a wide variety of applications.

- 1/1.8" Progressive Scan CMOS
- 1920 × 1080 @ 60fps
- Ultra-low light
- Auto-iris
- 120dB WDR
- IP67
- IR and white light, optional
- Capture rate > 99% (certain countries and regions)
- Recognition rate > 98% (certain countries and regions)



Function Description

Vehicle Detection and LPR

- Support countries and regions of Mid-East, Africa, Asia-Pacific, America, Europe, Russian-speaking Countries.
- In European and Russian-speaking regions, capture rate exceeds 99%, recognition rate exceeds 98%.

Smart

- Smart recording: support edge recording and dual-VCA
- Smart encoding: support low bit rate, low latency, ROI enhance encoding

Image

- 1920 × 1080 @60fps
- Support auto iris, DC-drive
- Support rotate mode, suitable for environment as corridor
- Support target cropping, details can be seen with low bandwidth
- Streaming smoothness setting for different requirements of image quality and fluency
- Support H.264+/H.264/MPEG4/MJPEG video compression, multi-level video quality configuration; support Baseline Profile/Main Profile/High Profile H.264 encoding complexity.
- Multiple OSD color: Black & white self-adaptive; Custom
- 120dB WDR is supportable for backlight environment
- Support defog, BLC, EIS, 3D DNR

System

- Support ONVIF (profile S/profile G), ISAPI protocol
- Support three streams, and support 20 channels live view at the same time
- Lightning protection, surge protection, voltage transient protection, anti-static protection

Interface

- Support standard 128 G microSD/SDHC/SDXC card storage
- Support 10M/100M Ethernet port
- Support Audio I/O (-S)
- Support Alarm I/O (-S)
- Support CVBS analog output (4CIF resolution)

Security

- Support three-level user authentication management, user and password authorization, and IP address filtering
- Support security certificate as HTTPS
- Lock user IP after certain times failed login attempts

Specifications

Camera	
Image Sensor	1/1.8" Progressive Scan CMOS
Min. Illumination	Color: 0.002 Lux @ (F1.2, AGC ON), 0.0027 Lux @ (F1.4, AGC ON), 0 Lux with IR
Shutter Speed	1 s to 1/100,000 s, supports slow shutter
Lens	2.8 mm to 12 mm, F1.4, horizontal field of view: 92° to 32° 8 mm to 32 mm, F1.6, horizontal field of view: 42° to 13.5°
Auto-iris	DC drive
Day & Night	IR cut filter with auto switch
Digital Noise Reduction	3D DNR
WDR	120dB
Compression Standard	
Video Compression	Main stream: H.264/MPEG4 Sub stream: H.264/MPEG4/MJPEG Third stream: H.264/MPEG4/MJPEG
H.264 Type	Baseline Profile/Main Profile/High Profile
H.264+	Support
Video Bit Rate	32 Kbps to 16 Mbps
Audio Compression (-S)	G.711/G.722.1/G.726/MP2L2
Audio Bit Rate (-S)	64Kbps (G.711) /16Kbps (G.722.1) /16Kbps (G.726) /32-160Kbps (MP2L2)
Image	
Max. Resolution	1920 × 1080
Main Stream Max. Frame Rate	50Hz: 50fps (1920 × 1080, 1280 × 960, 1280 × 720) 60Hz: 60fps (1920 × 1080, 1280 × 960, 1280 × 720)
Sub Stream Max. Frame Rate	50Hz: 25fps (704 × 576, 640 × 480, 352 × 288) 60Hz: 30fps (704 × 480, 640 × 480, 352 × 240)
Third Stream Max. Frame Rate	50Hz: 25fps (1920 × 1080, 1280 × 960, 1280 × 720, 704 × 576, 640 × 480, 352 × 288) 60Hz: 30fps (1920 × 1080, 1280 × 960, 1280 × 720, 704 × 480, 640 × 480, 352 × 240)
Image Enhancement	BLC /3D DNR/Defog/EIS
Image Setting	Rotate mode, saturation, brightness, contrast, sharpness adjustable by client software or web browser
Region of Interest	Support 4 fixed region for each stream, and dynamic tracking
Target Cropping	Support
Day/Night Switch	Auto/Schedule/Triggered by Alarm In (-S)
Picture Overlay	LOGO picture can be overlaid on video with 128 × 128 24bit bmp format
Road Traffic and Vehicle Detection	
Accuracy	European and Russian-Speaking Regions: Capture Rate > 99% Recognition Rate > 98%
Vehicle Speed	Support vehicle speed under 120 km/h (74.6 mi/h)
Line number	Up to 4 lines supported. Recommended to set 1 or 2 lines for best performance
Direction	Support capture and recognition of vehicles both approaching and leaving
Whitelist and Blacklist	Up to 2048

Countries and Regions	<p>Mid-East: Turkey, United Arab Emirates, Qatar, Iran, Iraq, Morocco, Egypt, Jordan, Kuwait, Saudi Arabia, Tunisia, Palestine, Pakistan</p> <p>Africa: South Africa, Kenya, Nigeria, Tanzania, Mauritius</p> <p>Asia-Pacific: Australia, Mauritius, New Zealand, Indonesia, Malaysia, Singapore, South Korea, Thailand, Vietnam, the Philippines, Hong Kong, Macao, Taiwan, Burma, Japan, India, Mongolia</p> <p>America: United States of America, Colombia, Brazil, Ecuador, Peru, Mexico</p> <p>Europe: Slovakia, Italy, Spain, France, Germany, Poland, France, Czech Republic, Netherlands, Denmark, Luxembourg, Greece, Albania, Bosnia and Herzegovina, Ireland, Malta, Sweden, Switzerland, Portugal, Macedonia, Croatia, Finland, United Kingdom, Romania, Serbia, Bulgaria, Norway, Israel, Hungary, Austria, Vatican City State, Cyprus, Iceland, Slovenia, Turkey, Montenegro</p> <p>Russian-Speaking Countries: Azerbaijan, Belarus, Kazakhstan, Lithuania, Georgia, Estonia, Latvia, Armenia, Russian Federation, Ukraine, Moldova, Belarus, Turkmenistan, Uzbekistan</p>
Network	
Network Storage	Support microSD/SDHC/SDXC card (128G), local storage and NAS (NFS,SMB/CIFS), ANR
Alarm Trigger	Road traffic, motion detection, video tampering alarm, network disconnected, IP address conflict, illegal login, HDD full, HDD error
Protocols	TCP/IP, ICMP, HTTP, HTTPS, FTP, DHCP, DNS, DDNS, RTP, RTSP, RTCP, PPPoE, NTP, UPnP, SMTP, SNMP, IGMP, 802.1X, QoS, IPv6
General Function	One-key reset, anti-flicker, three streams, heartbeat, password protection, privacy mask, watermark, IP address filter, mirror
Standard	ONVIF (profile S, profile G), ISAPI
Interface	
Communication Interface	1 RJ45 10M/100M Ethernet port
Audio (-S)	With -S model: 1 audio input(line in/mic in), 1 audio output
Alarm (-S)	With -S model: 1 input, 1 output
Video Output	1Vp-p composite output (75 Ω/BNC)
On-board storage	Built-in microSD/SDHC/SDXC slot, up to 128 G
Reset Button	Yes
Audio (-S)	
Environment Noise Filtering	Support
Audio I/O	Support
Audio Sampling Rate	16kHz/32kHz/44.1kHz/48 kHz
General	
Operating Conditions	-IZS/P, -IZ/P, -LZS/P: -30 °C to +60 °C (-22 °F to +140 °F), Humidity 95% or less (non-condensing) -IZHS/P: -40 °C to +60 °C (-40 °F to +140°F), Humidity 95% or less (non-condensing)
Power Supply	12 VDC ± 10%, terminal block PoE (802.3at, class 4)
Power Consumption and Current	-(IZS)(IZ)/P: 12 VDC, max. 13.3 W, 1.2 A; PoE, max. 17.6 W, 0.3 A to 0.5 A -IZHS/P: 12 VDC, max. 14.5 W, 1.3 A; PoE, max. 19.2 W, 0.3 A to 0.5 A -LZS/P: 12 VDC, max. 18.1 W, 1.6 A; PoE, max. 24 W, 0.4 A to 0.6 A
IR	-IZ/P, -IZS/P, -IZHS/P: 850 nm IR wavelength, up to 50 meters for 2.8 to 12 mm lens, up to 100 m for 8 to 32 mm lens
White Light	-LZS/P: up to 50 meters for 2.8 to 12 mm lens, up to 100 m for 8 to 32 mm lens
Heater	-IZHS: support

Protection	IP67
Dimensions	348.38 × 114.18 × 111.73 mm (13.72" × 4.5" × 4.4")
Weight	Approx. 2075 g (4.57 lb.)

Available Models:

DS-2CD4A26FWD-IZ/P, DS-2CD4A26FWD-IZS/P, DS-2CD4A26FWD-IZHS/P, DS-2CD4A26FWD-LZS/P

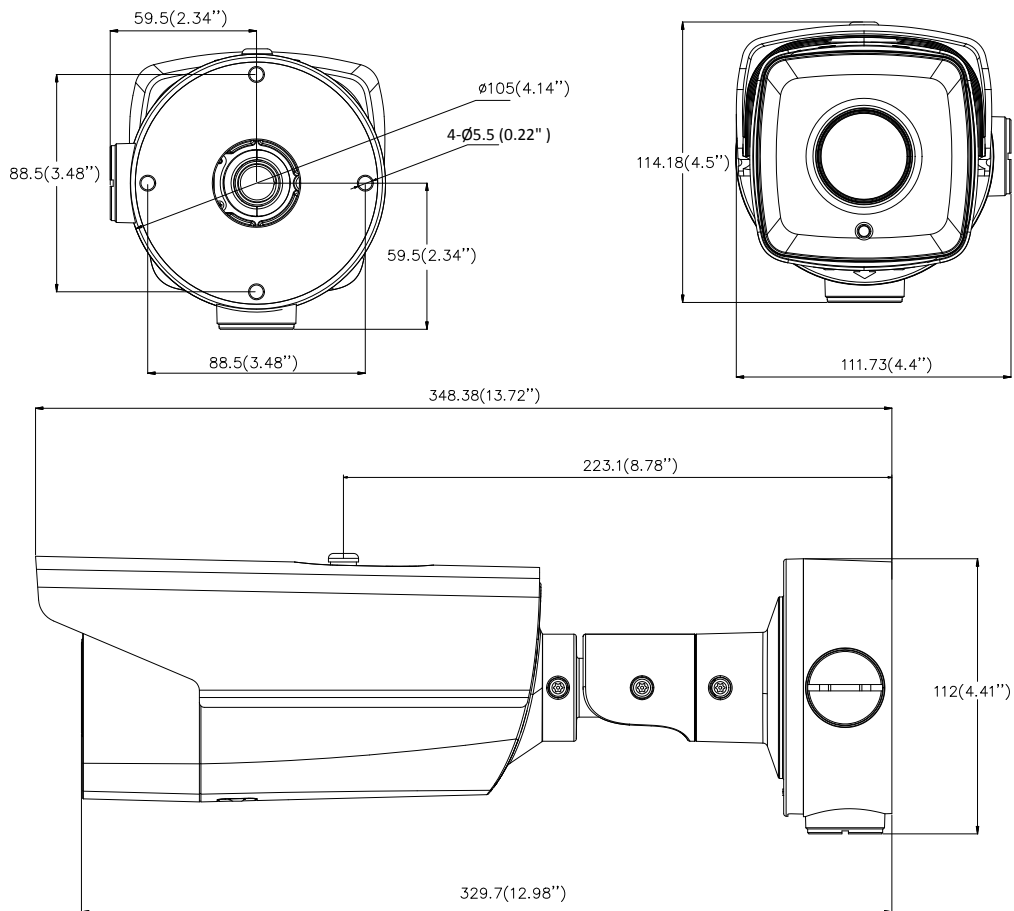
*With -I model supports IR supplement

*With -H model supports heater

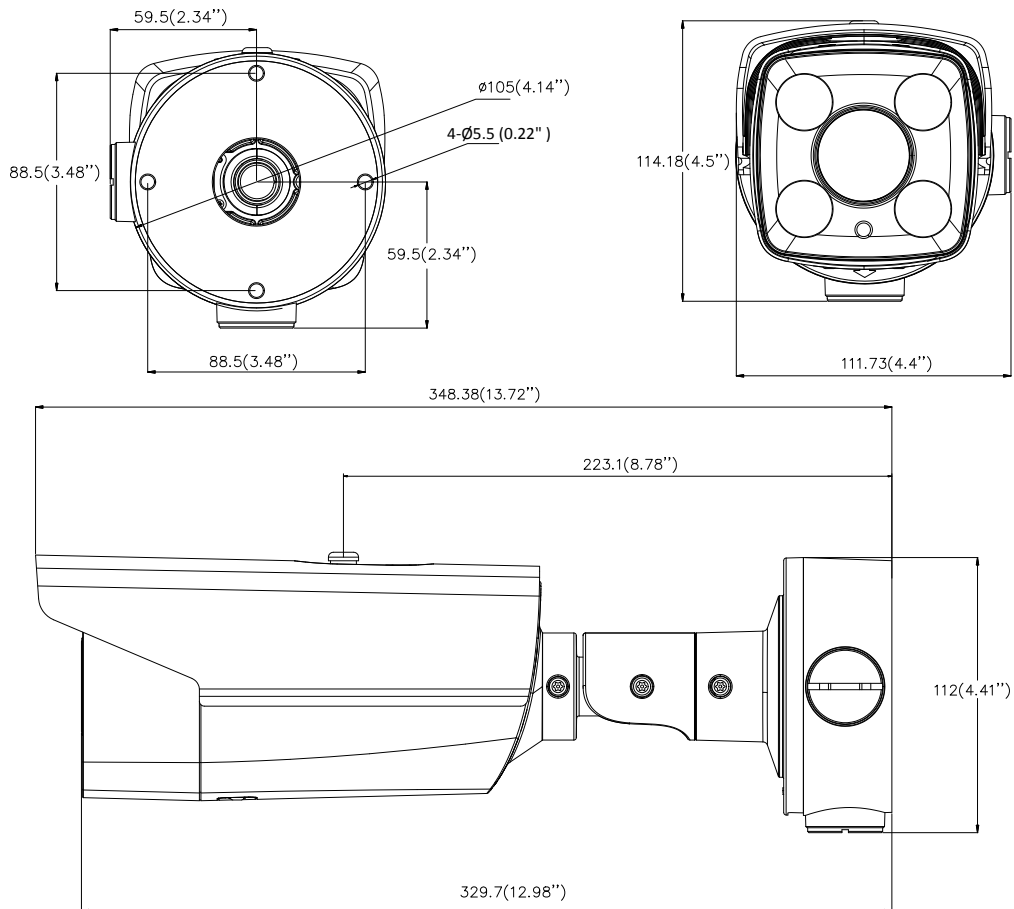
*With -L model supports white light supplement

Dimensions

-IZ/P, -IZS/P, -IZHS/P:



-LZS/P:



Accessories



DS-1275ZI-SUS
Vertical Pole Mount



DS-1276ZI-SUS
Corner Mount



CENTRAL SECURITY DISTRIBUTION

An Anixter Company

1300 319 499

csd.com.au