



Dahua HD IR Network Dome Camera Quick Start Guide

Version 1.0.1

ZHEJIANG DAHUA VISION TECHNOLOGY CO., LTD.

Welcome

Thank you for purchasing our Network camera!

This user's manual is designed to be a reference tool for your system.

Please read the following safeguard and warnings carefully before you use this series product!

Please keep this user's manual well for future reference!

Important Safeguards and Warnings

1 . Electrical safety

- All installation and operation here should conform to your local electrical safety codes.
- Please check if the power supply is correct before operating the device.
- The power shall conform to the requirement in the SELV (Safety Extra Low Voltage) and the Limited power source is rated 12V DC, DC5V or AC24V in the IEC60950-1. (Power supply requirement is subject to the device label).
- Please install easy-to-use device for power off before installing wiring, which is for emergent power off when necessary.
- Please prevent the line cord from being trampled or pressed, especially the plug, power socket and the junction from the device.

Note: Do not connect these two power supplying sources to the device at the same time; it may result in device damage!

We assume no liability or responsibility for all the fires or electrical shock caused by improper handling or installation.

We are not liable for any problems caused by unauthorized modification or attempted repair.

2 . Environment

- Please don't aim the device at strong light (such as lighting, sunlight and so on) to focus; otherwise it may cause overexposure (It is not the device malfunction), which will affect the longevity of CCD or CMOS.
- Please transport, use and store the device within the range of allowed humidity and temperature.
- Please don't keep the device in a place which is wet, dusty, extremely hot, and extremely cold and with strong electromagnetic radiation or unstable lighting.
- Please do not allow water and other liquid falling into the camera in case that the internal components are damaged.
- Please do not allow rain or damp to the indoor device in case fire or lightning may occur.
- Please keep the sound ventilation in case of heat accumulation.
- Please pack the device with standard factory packaging or material with same quality when transporting the device.
- Heavy stress, violent vibration or water splash are not allowed during transportation, storage and installation.

3. Operation and Daily Maintenance

- Please do not touch the heat dissipation component of the device directly in order to avoid scald.
- Please do not dismantle the device; there is no component which can be fixed by users themselves in the machine. It may cause water leakage or bad image for the device due to unprofessional dismantling.
- It is recommended to use the device with thunder proof device in order to improve thunder proof effect.
- The grounding holes of the product are recommended to be grounded to further enhance the reliability of the camera.
- Do not touch the CCD (CMOS) optic component directly. You can use the blower to clean the dust or dirt on the lens surface. Please use a dry cloth wetted by alcohol to wipe away the dust gently if it is necessary to clean.
- Always use the dry soft cloth to clean the device. If there is too much dust, please use the water to dilute the mild detergent first and then use it to clean the device. Finally use the dry cloth to clean the device. Don't use volatile solvent like alcohol, benzene, thinner and etc. or strong detergent with abrasiveness, otherwise it will damage the surface coating or reduce the working performance of the device.
- Dome cover is an optical device, please don't touch or wipe cover surface directly during installation and use, please refer to the following methods to deal with once dirt is found:
 - Stained with dirt
 - Use oil-free soft brush or hair dries to remove it gently.
 - Stained with grease or fingerprint
 - Use soft cloth to wipe the water drop or oil gently to make it dry, then use oil-free cotton cloth or paper soaked with alcohol or detergent to wipe from the lens center to outward. It is ok to change the cloth and wipe several times if it is not clean enough.

Warning

- Please use the standard accessories provided by manufacturer and make sure the device is installed and fixed by professional engineers.
- Please prevent the device surface from the radiation of laser beam when using laser beam device.
- Please do not provide two or more power supply modes for the device, otherwise it may cause damage to the device.

Statement

- Please refer to the actual product for more details; the manual is just for reference.
- Please check if the version of reader is the latest or try to use mainstream reader if it fails to open PDF in the disk.
- The manual will be regularly upgraded according to the product update; the upgraded content will be added in the manual without prior announcement.
- Please contact the supplier or customer service if there is any problem occurred when using the device.

- Please contact the customer service for the latest procedure and supplementary documentation.
- There may be deviation between the actual value of some data and the value provided in the manual due to the reasons such as the real environment is not stable and so on. Please refer to the company's final explanation if there is any doubt or dispute.
- The company is not liable for any loss caused by the operation which is not followed by the manual.

FCC Information

1. FCC conditions:

This device complies with part 15 of the FCC Rules. Operation is subject to the following two conditions:

- This device may not cause harmful interference;
- This device must accept any interference received, including interference that may cause undesired operation.

2. FCC compliance:

This equipment has been tested and found to comply with the limits for a digital device, pursuant to part 15 of the FCC Rules. These limits are designed to provide reasonable protection against harmful interference. This equipment generates uses and can radiate radio frequency energy and, if not installed and used in accordance with the instruction manual, may cause harmful interference to radio communication. However, there is no guarantee that interference will not occur in a particular installation. If this equipment does cause harmful interference to radio or television reception, which can be determined by turning the equipment off and on, the user is encouraged to try to correct the interference by one or more of the following measures:

- Reorient or relocate the receiving antenna.
- Increase the separation between the equipment and receiver.
- Connect the equipment into an outlet on a circuit different from that to which the receiver is connected.
- Consult the dealer or an experienced radio/TV technician for help.

Note:

Please refer to the disk for more details, check and download corresponding user's manual and tool.

Before installation, please open the package and check all the components are included.

Contact your local retailer ASAP if something is broken in your package.

Accessory Name	Amount
Network Camera Unit	1
Quick Start Guide	1
Installation Accessories Bag	1
CD	1

Table of Contents

1	Device Structure	1
1.1	Structure Components.....	1
1.2	Framework and Dimension	1
2	Device Installation	3
3	Network Configuration.....	9
3.1	Modify IP Address.....	9
3.2	Login WEB Interface.....	10

1 Device Structure

1.1 Structure Components

Note

- The following figure is for reference only, which is used to know each structure component and cable port functions.
- Different devices may have different structures and cables, please refer to the following figure according to the actual product.

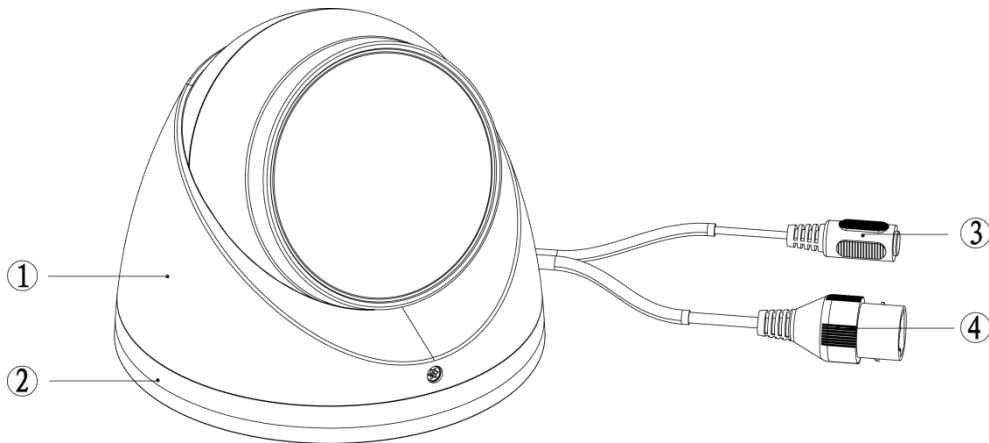


Figure 1-1

Please refer to Table 1-1 for detailed information about structure appearance.

Component	Component Name
1	Dome enclosure
2	Dome pedestal

Table 1-1

Please refer to Table 1-2 for detailed information about cable port.

SN	Port	Port Name	Connector	Function Description
6	DC 12V	12V DC power	-	Connect to DC 12V power, input power
7	LAN	Network port	Ethernet port	Connect to standard Ethernet cable, provide PoE power supply. Note Some devices don't support PoE.

Table 1-2

1.2 Framework and Dimension

The following figures are for reference only, which are used to know the device dimension, please refer to Figure 1-2 and Figure 1-3 for the device dimension. The unit is mm (inch).

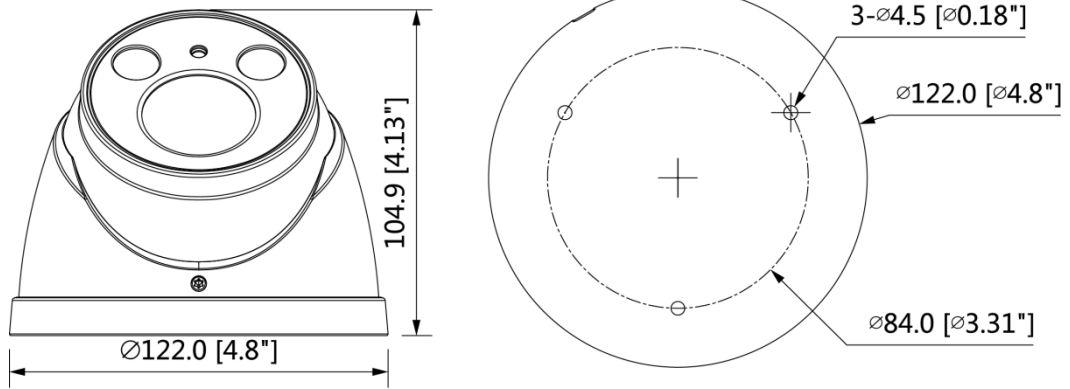


Figure 1-2

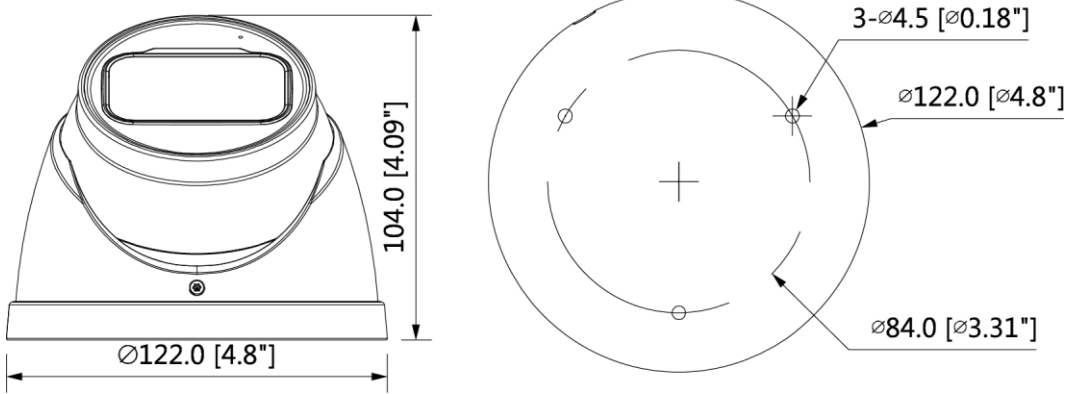


Figure 1-3

2 Device Installation

Note:

- The installation figures are for reference only, please refer to the figure according to the actual product.
- Before the installation, please make sure the installation environments can at least support 3x weight of the camera and the bracket.
- Please cut off the device power before installing Micro SD card.

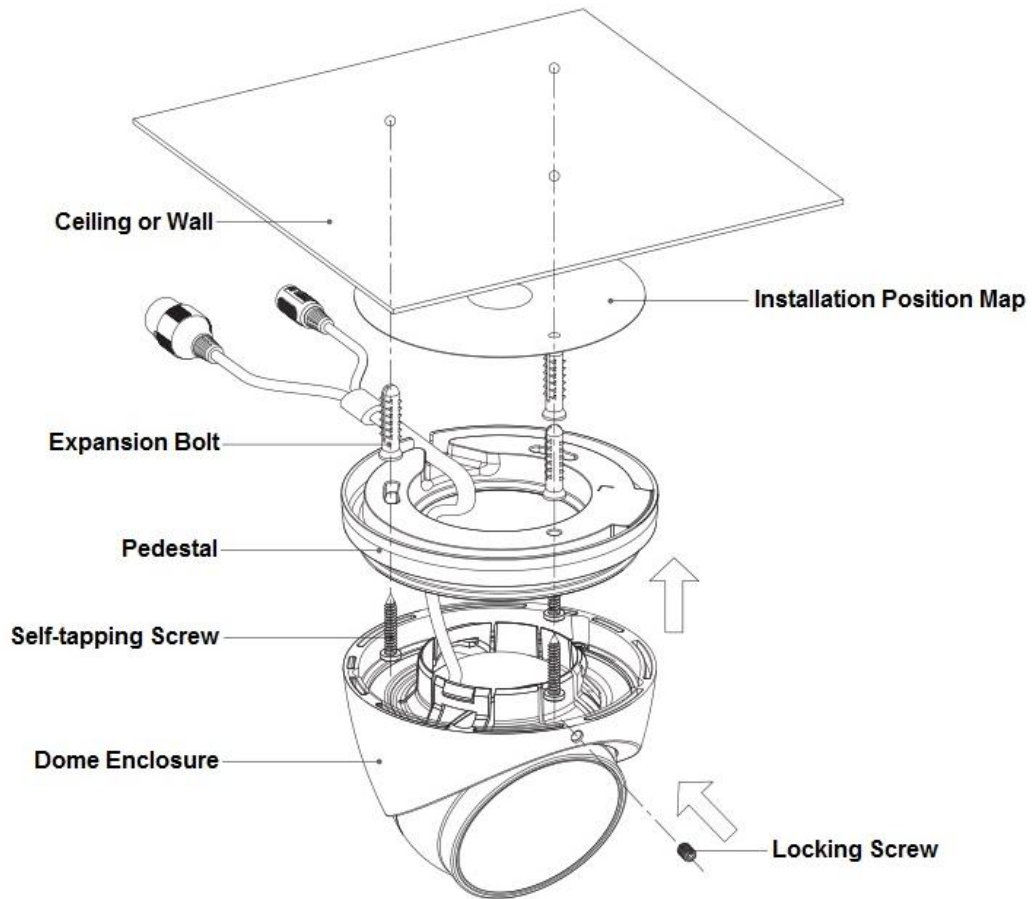


Figure 2-1

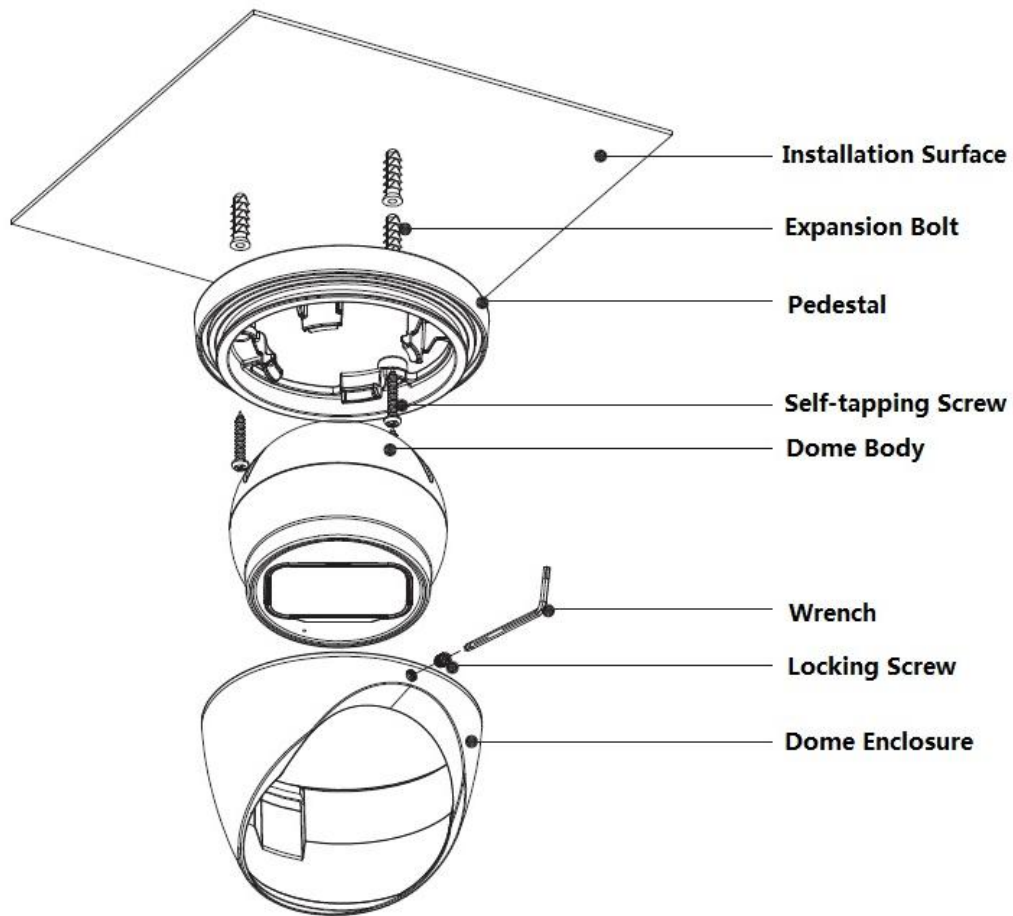


Figure 2-2

Step 1

Please take out the installation position map from the accessories bag, and then stick it on the ceiling or the wall. Dig bottom holes according to the installation position map, and then take out three expansion bolts from the accessories bag and insert them into the holes you just dug.

Step 2

Use the wrench to loosen the locking screws, pull the enclosure downward in order to separate it from the pedestal and dismantle the device.

Note:

The range of the lens adjusting angle: horizontal rotation direction ($0^{\circ} \sim +360^{\circ}$), vertical rotation direction ($0^{\circ} \sim +67^{\circ}$), image rotation direction ($0^{\circ} \sim +360^{\circ}$).

Step 3

Install Micro SD card (optional).

Note:

It needs to implement the step when the device is equipped with Micro SD card and it needs to use Micro SD card.

1. Use the cross screwdriver to loosen four screws on the dome pedestal, take down the compression cover and take out the dome body. Please refer to Figure 2-3 for more details.

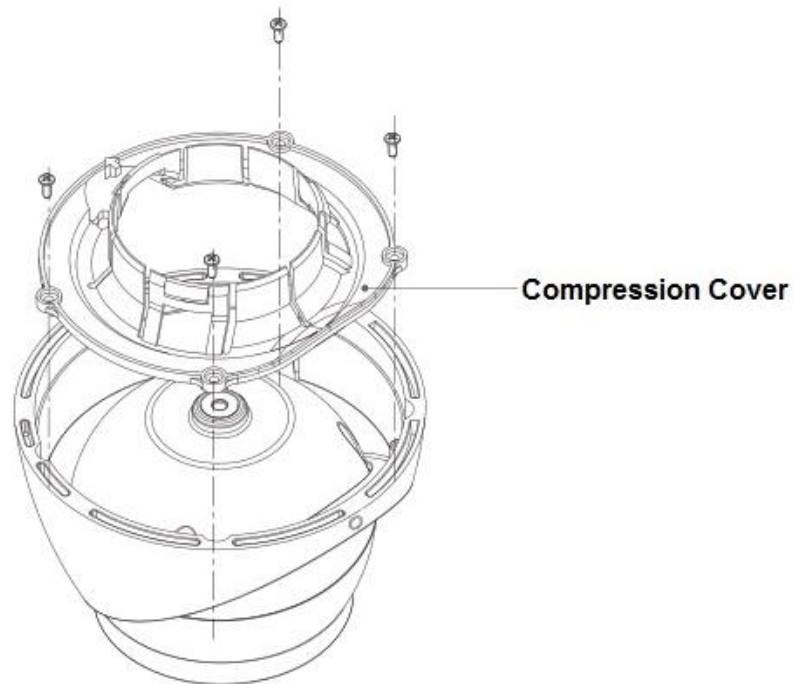


Figure 2-3

2. Use the cross screwdriver to loosen three screws on the dome body and open the dome body.
3. Find the location of Micro SD card slot which is shown in Figure 2-4 and Figure 2-5, adjust the direction of Micro SD card, insert it into the card slot and install the Micro SD card properly.

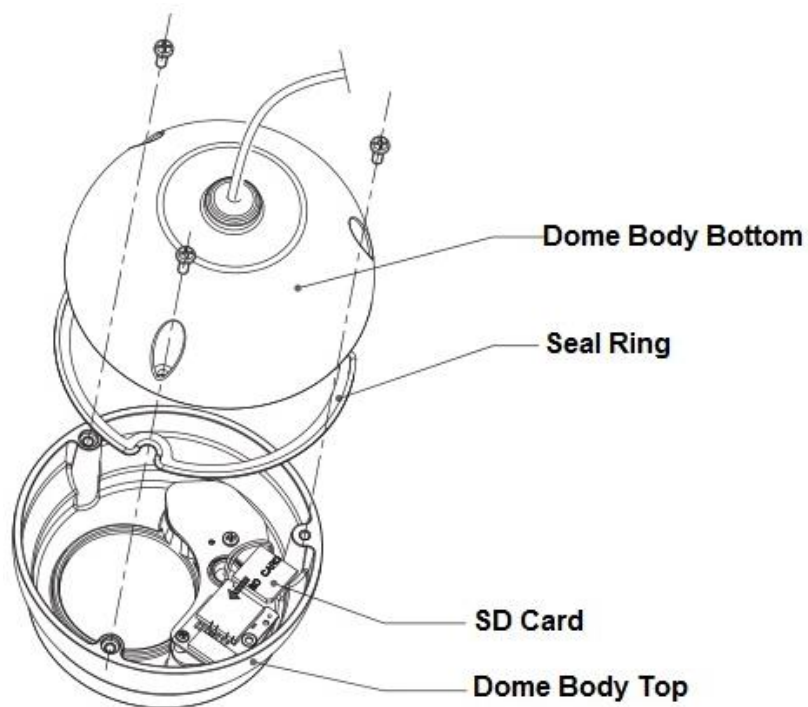


Figure 2-4

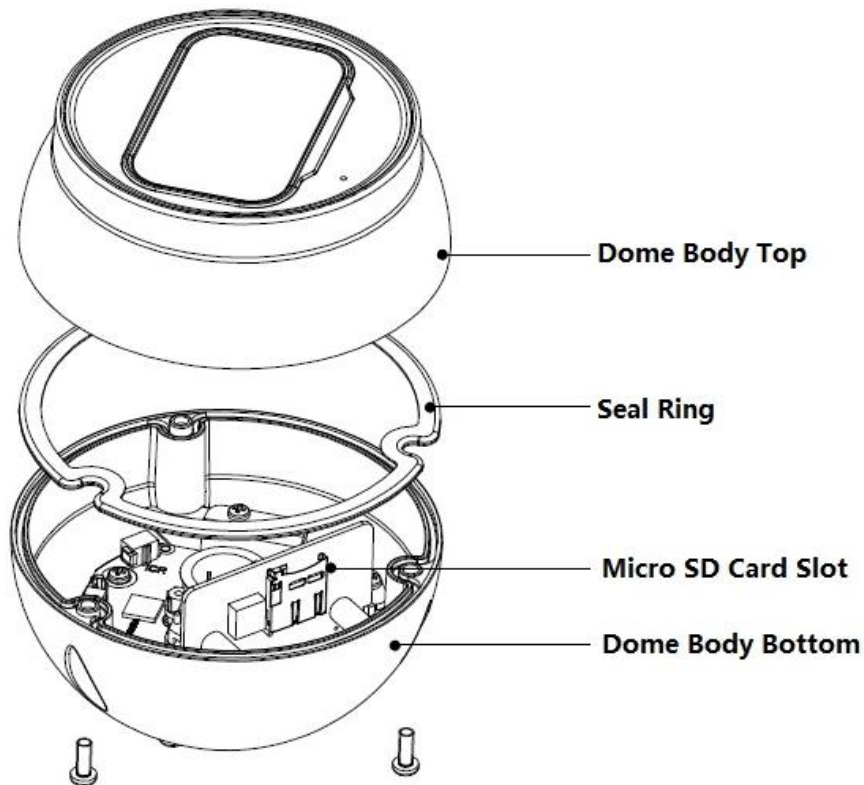


Figure 2-5

Note:

Please install the device seal ring back to the dome body bottom after Micro SD card is installed.

4. Use the cross screwdriver to tighten back three screws on the dome body, and put the dome body back into the dome enclosure.
5. Use the cross screwdriver to tighten back four screws on the dome body bottom, and install back the compression cover.

Step 4

It is to select whether it is to run the wire through bottom or side, and insert multi-function cable into exit hole on installation surface.

- Bottom wiring: select to lead out the cable through ceiling or wall, which can protect the cable effectively.
- Side wiring: select to lead out the cable through side exit and add metal conduit etc., which can prevent the cable from being destroyed.

Please refer to Figure 2-6 and Figure 2-7 for more details about bottom wiring and side wiring respectively.

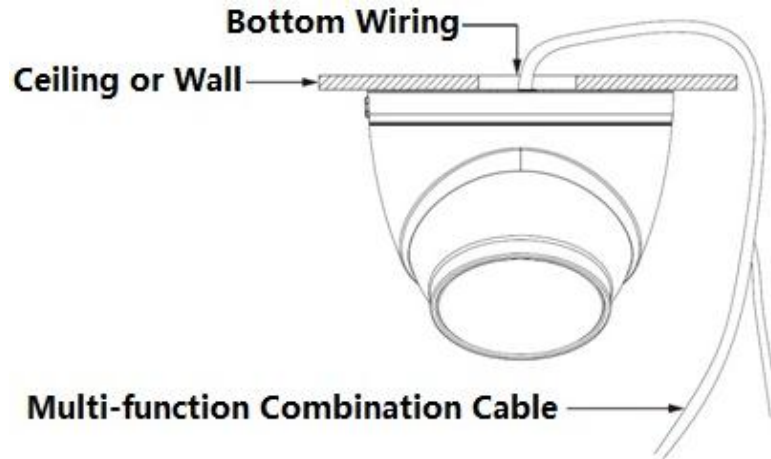


Figure 2-6

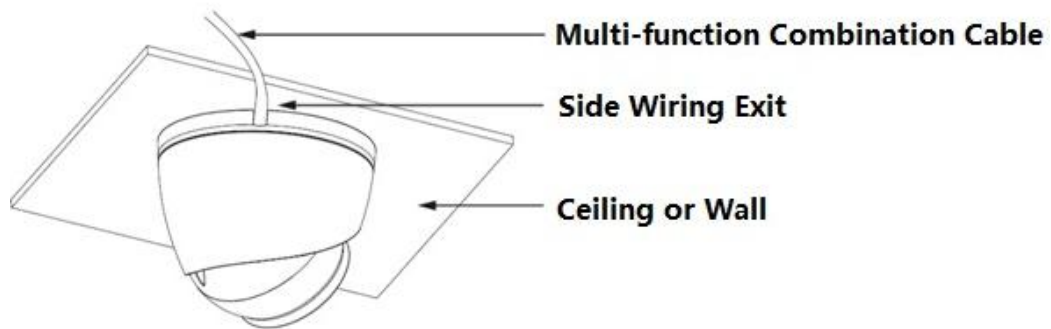


Figure 2-7

Step 5

Waterproof connector installation for network port (optional); see Figure 2-8 for more details.

Note

It needs to implement the step when the device is equipped with waterproof connector for network port and it is used outdoors.

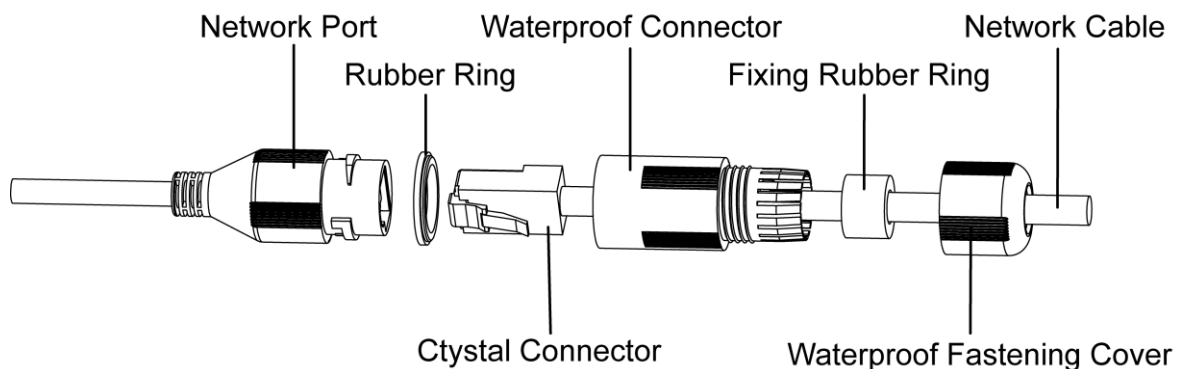


Figure 2-8

1. Keep the convex groove outward and install the rubber ring into the network port, keep the smaller hole of the rubber ring outward and install the fixing rubber ring into the main body of the waterproof connector.

2. Pull the network cable without crystal head through main body of waterproof connector, fixing rubber ring and waterproof locking cover, make the crystal head of network cable, and then insert it into the network cable.
3. Put the main body of waterproof connector on the network port and rotate it clockwise to lock the network port and waterproof connector firmly.
4. Put the waterproof locking cover on the main body of waterproof connector and rotate it clockwise to lock the waterproof connector and waterproof locking cover firmly.

Step 6

Adjust pedestal position, aim at bottom hole. Take out three ST4.2 self-tapping screws in accessories bag. Insert them into the plastic expansion bolt bottom hole and fix the pedestal on installation surface.

Step 7

Install the enclosure back to pedestal, push the enclosure upward and lock the screws firmly by wrench, so far the device installation is completed.

3 Network Configuration

The IP address of all the cameras is the same when leaving factory (default IP 192.168.1.108). To make the camera access to the network smoothly, please plan the available IP segment reasonably according to the actual network environment.

3.1 Modify IP Address


The cameras which are accessed via wired network can acquire and modify the IP address through "Quick Configuration Tool". This section introduces the approach of modifying IP address via "Quick Configuration Tool". You can also modify the IP address in the network parameters of the WEB interface. Please refer to the document *WEB Operation Manual* in the disk for more details.

To modify IP address, do the following:

Step 1

Double-click "ConfigTool.exe" to open the "Quick Configuration Tool".

Step 2

Click  to enter the interface where you can modify IP address, and then click **Search setting**. The system pops up the **Setting** dialog box, see Figure 3-1.

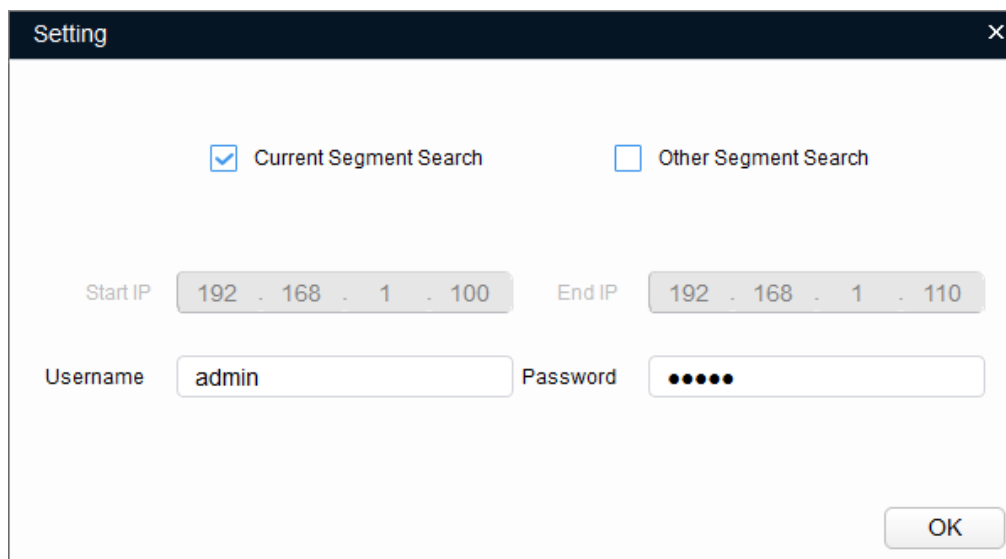


Figure 3-1

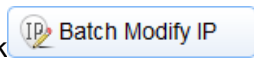
Step 3

Set the device network segment, login user name and password, and then click **OK**. The system will display the searched devices after searching completes.

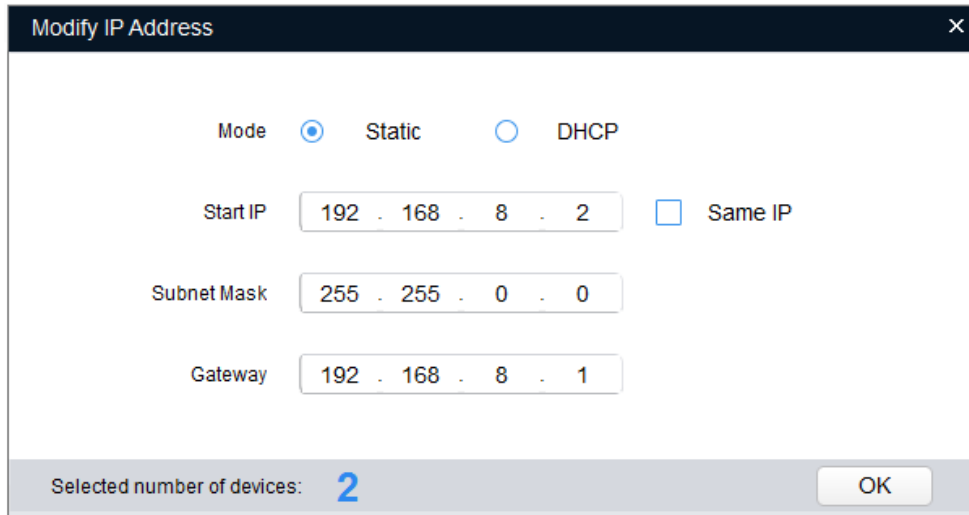
Note

The default username and password is **admin** and **admin** respectively.

Step 4

Select the devices which IP addresses need to be modified, and then click .

The system will pop up the **Modify IP Address** dialog box, see Figure 3-2.



Modify IP Address

Mode Static DHCP

Start IP Same IP

Subnet Mask

Gateway

Selected number of devices: 2

Figure 3-2

Step 5

Set the mode as **Static**, and input the planned **Start IP**, **Subnet Mask** and **Gateway**.

Note

Set the mode as **DHCP** when there is DHCP server in the network, the device will automatically acquire IP address from the DHCP server.

Step 6

Click **OK** to finish modification.

3.2 Login WEB Interface

Note

Different devices might have different WEB interfaces, the figures in this document are just for reference, please refer to the document *WEB Operation Manual* in the disk and the actual interface for more details.

To login WEB interface, do the following:

Step 1

Open IE browser and input the modified camera IP address in the address bar, and then press **Enter** key. The login interface shows, see Figure 3-3.



Figure 3-3

Step 2

Input username and password, click **Login**. The system will pop out WEB main interface.

Note

The default username and password is **admin** and **admin** respectively, please modify the administrator password as soon as possible after you successfully logged in.

Step 3

Click [Here to Download Plug-in](#), and then install controls according to the system prompt. See Figure 3-4 or the WEB main interface.

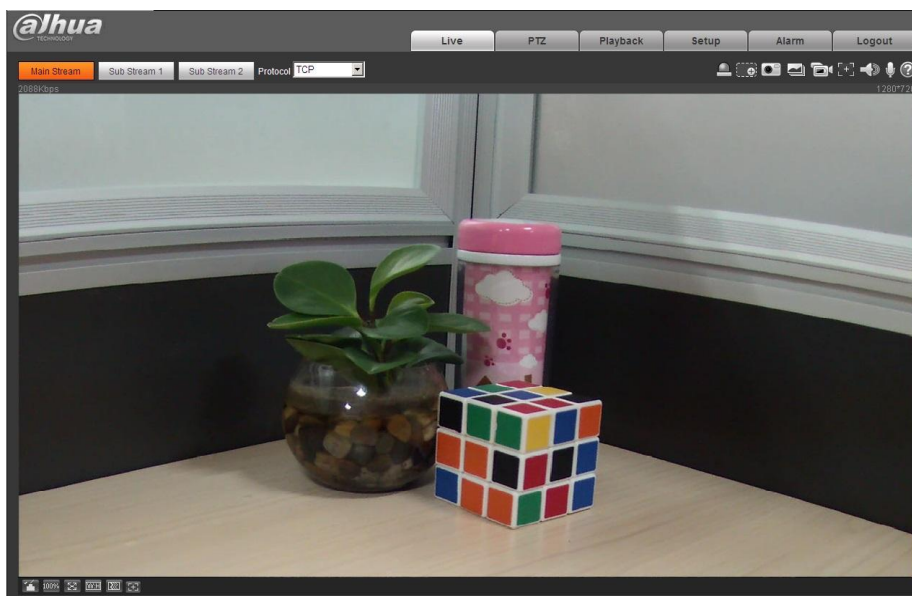


Figure 3-4



Note:

- **This quick start guide is for reference only. Slight difference may be found in user interface.**
- **All the designs and software here are subject to change without prior written notice.**
- **All trademarks and registered trademarks mentioned are the properties of their respective owners.**
- **If there is any uncertainty or controversy, please refer to the final explanation of us.**
- **Please visit our website or contact your local service engineer for more information.**



Zhejiang Dahua Vision Technology Co., Ltd

Address: No.1199 Bin'an Road, Binjiang District, Hangzhou, PRC.

Postcode: 310053

Tel: +86-571-87688883

Fax: +86-571-87688815

Email:overseas@dahuatech.com

Website: www.dahuasecurity.com