



**VL-SWD275AZ**  
(Main Monitor: White)

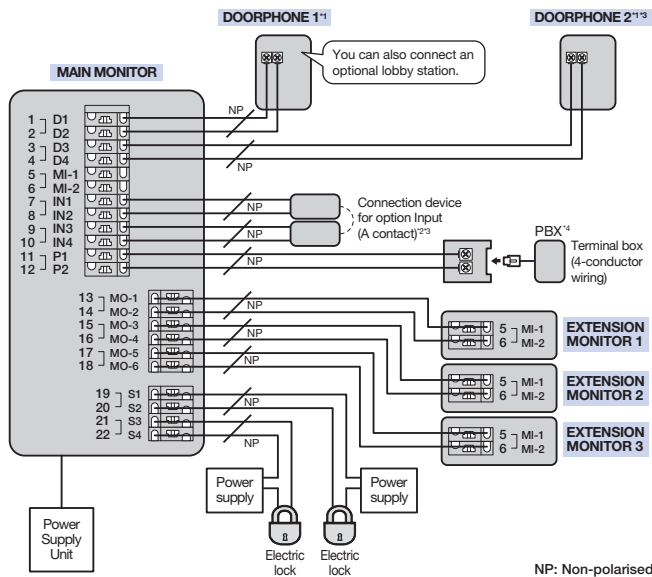
**VL-SWD275AZS**  
(Main Monitor: Silver)

\* The color of the product looks different from the catalog depending on the angle and light source.

## Key Features

- **Sophisticated Design:** A fully flat thin monitor with touch sensor keys. The doorphone has a gently curved, metallic-looking design that matches the home exterior. Also, the doorphone can be embedded in a wall by using the optional mount box.
- **Wireless Monitor:** The wireless monitor can be used to check visitors and respond promptly from the living room, kitchen and elsewhere in the home. As long as there are no obstacles, the maximum wireless range is approximately 100 m. Up to 2 DECT repeaters can be added to extend the range.
- **Highly Expandable:** Connect up to 6 additional monitors to the main monitor using a combination of 7-inch wired monitors (up to 3) and 2.2-inch wireless monitors (up to 6). PBX connectivity is also supported.
- **Easy-to-use:** The 1.3-megapixel image sensor on the doorphone takes visitor images at HD image resolution. Easy operation using the e-lock release button on the front and a volume control button on the side of the main/extension monitor.
- **One Touch Voice Change:** This unique safety feature makes the voice heard at the doorphone sound deeper so that a female voice sounds like a male voice. The voice change function can be activated with one touch during an incoming call using the main/extension monitor.
- **Electric Lock Release Support for Gate:** The gate or door lock can be easily and quickly released using the monitors during an incoming call, or while talking or monitoring.
- **Picture Recording:** The main/extension monitor can record up to 50 still images from doorphone calls or monitoring sessions. Recorded images on the main monitor can also be played from the wireless monitor. (Up to 50 session (up to 4 still images per session))
- **Night Vision:** The doorphone is equipped with LED lights that enables the colour display of visitors at a distance of about 50 cm even when it is dark.

## Wiring Schematic Diagram



\*1 When you use an additional doorphone, the maximum number of the electric locks that can be connected to the doorphone depends on the type of doorphone. Consult your dealer for further information.  
For VL-V554 users:  
- The electric lock can also be connected to the S1/S2 terminals of the doorphone.

\*2 Connection devices for option input (A contact)  
- Make sure to connect doorbells to the IN3/IN4 terminals.  
- When a VL-V901 and VL-V700 series Video Intercom System for Apartment Complexes is used, emergency terminals can be used. Make sure to connect emergency terminals to the IN1/IN2 terminals.

\*3 Either DOORPHONE2 or doorbell can be used.

## Wire type and length

Wiring run	Wire type <sup>*5</sup>		
	Diameter		Length (Max.)
Doorphone – Main monitor – Extension monitor <sup>*6</sup>	φ 0.65 mm	22 AWG	100 m
	φ 1.0 mm	18 AWG	130 m
	φ 0.5 mm	CAT 5	50 m
Main monitor – Electric lock <sup>*7</sup>	φ 0.5 mm - φ 1.2 mm (24 AWG - 17 AWG)		According to the specification of connected device.
Main monitor – Connection device for option input (A contact) <sup>*7</sup>	φ 0.5 mm - φ 1.2 mm (24 AWG - 17 AWG)		According to the specification of connected device.
Main monitor – PBX	φ 0.65 mm	CAT 3 or 22 AWG	100 m

\*4 Connectable PBX Model Numbers: KX-TDA30/100/100D/200/600 series, KX-TDE100/200/600 series, KX-NS300/500/700/1000 series. Please consult your dealer when connecting with a PBX.

\*5 Type: Single-pair cable with outer sheath (jacket)  
Conductor: Copper solid

• A certified power supply wiring has to be used with this equipment. The relevant national installation and/or equipment regulations shall be considered. A certified power supply wiring not lighter than ordinary polyvinyl chloride flexible wiring according to IEC 60227 shall be used.

\*6 When an extension monitor is used, make sure that the total wiring length from the doorphone to the main monitor and then to the extension monitor, is within about 100 m.

\*7 When using an electric lock or a connection device for option input (A contact), select a device that meets the following guidelines:

- Electric lock connection terminal (S1/S2, S3/S4):  
- N/O dry closure contact  
- 30 V AC (1 A)/24 V DC (1 A) or lower
- Connection device for option input (A contact) terminal (IN1/IN2/IN3/IN4):  
- Input method: No-voltage contact  
- Open-circuit voltage between terminals: DC 7 V or less  
- Detection definite time: 0.1 seconds or more  
- Short-circuit between terminals: 5 mA or less  
- Resistance value: make: 500 Ω or less, break: 15 KΩ or more

## Optional Accessories

### Extension Monitor

**VL-MWD275AZS**  
(Silver)

**VL-MWD275AZ**  
(White)



### Wireless Monitor Station (Sub monitor)

**VL-WD619**



### DECT Repeater

**VL-FKD2**



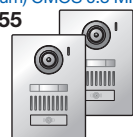
### Door Station (Doorphone)

(Plastic)  
**CMOS 1.3 MP**  
**VL-V524L**



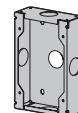
### Door Station (Doorphone)

(Aluminium) CMOS 1.0 MP  
**VL-V554**  
(Aluminium) CMOS 0.3 MP  
**VL-V555**



### Flush Mount Box

**VL-MB524**  
for VL-V524L  
**VL-MB554**  
for VL-V554/V555



### Door Station (Doorphone)

(Plastic)  
**CMOS 0.3 MP**  
**VL-V522L**



## Related Products

### Lobby Station

Up to 20 Rooms  
**VL-V591**  
Up to 32 Rooms  
**VL-VM series**  
Up to 2,240 Rooms  
**VL-V901**

