

DS-2XM6522WD-I(M)

2 MP Weather and Vandal Resistant Mobile Camera



Key Features

- Up to 2.0 megapixel high resolution
- 1920 × 1080 @30fps video
- Three video streams
- 4mm/6mm/8mm/12mm fixed lens
- 120dB Wide Dynamic Range
- 3D Digital Noise Reduction
- 3-axis adjustment
- DC12V & PoE (802.3af)
- IR range 30-50m
- IP68 weather-proof protection
- IK10 vandal-resistant protection
- M12 aviation plug (optional)
- Multiple smart events supported



Specification

Camera	
Image Sensor	1/2.7" Progressive Scan CMOS
Min. Illumination	0.01Lux @ (F1.2, AGC ON), 0 Lux with IR
Shutter Speed	1/3 s to 1/100,000 s, support auto electronic shutter
Slow Shutter	Support
Lens	6 mm, horizontal field of view 53.9° [4 mm (90°), 8 mm (37.9°), 12 mm (24.3°), optional]
Lens Mount	M12
Day & Night	IR cut filter
DNR	3D DNR
Wide Dynamic Range	120dB
3-Axis Adjustment	Pan: -15° to 15°, tilt: 0° to 30°, rotate: -90° to 90°
Compression Standard	
Video Compression	Main stream: H.264 Sub stream: H.264/MJPEG Third stream: H.264
H.264 Type	Baseline Profile/Main Profile/High Profile
H.264+	Support
Video Bit Rate	32 Kbps to 16 Mbps
Image	
Max. Resolution	1920 × 1080
Main Stream	50Hz: 25fps (1920 × 1080, 1280 × 960, 1280×720) 60Hz: 30fps (1920 × 1080, 1280 × 960, 1280×720)
Sub Stream	50Hz: 25fps (704 × 576, 640 × 480, 352 × 288, 320 × 240) 60Hz: 30fps (704 × 480, 640 × 480, 352 × 240, 320 × 240)
Third Stream	50Hz: 25fps (1920 × 1080, 1280 × 960, 1280 × 720, 704 × 576, 640 × 480, 352 × 288, 320 × 240) 60Hz: 30fps (1920 × 1080, 1280 × 960, 1280 × 720, 704 × 480, 640 × 480, 352 × 240, 320 × 240)
Image Enhancement	BLC/HLC/3D DNR/Defog/EIS
Image Settings	Support rotate mode. Brightness, contrast, saturation, etc., adjustable via web browser and client software
ROI (Region of Interest)	Support 4 fixed region for each stream, or face dynamic tracking
Target Cropping	Support
Day/Night Switch	Auto/Schedule/Triggered by Alarm In
Picture Overlay	LOGO picture can be overlaid on video with 128 × 128, 24 bit bmp format
Network	
Network Storage	NAS (Support NFS, SMB/CIFS)
Alarm Trigger	Motion Detection, Tampering Alarm, Network Disconnected, IP Address Conflict, Illegal Login, HDD full, HDD error
Protocols	TCP/IP, UDP, ICMP, HTTP, HTTPS, FTP, DHCP, DNS, DDNS, RTP, RTSP, RTCP, PPPoE, NTP, UPnP, SMTP, SNMP, IGMP, 802.1X, QoS, IPv6
Standard	ONVIF (PROFILE S, PROFILE G), PSIA, CGI, ISAPI
General Function	One-key Reset, Anti-Flicker, Three Streams, Heartbeat, Mirror, Password Protection, Privacy Mask, Watermark, IP Address Filter
Smart Feature-set	
Behavior Analysis	Line crossing detection, Intrusion detection, Region entrance, Region exiting, Unattended baggage, Object removal

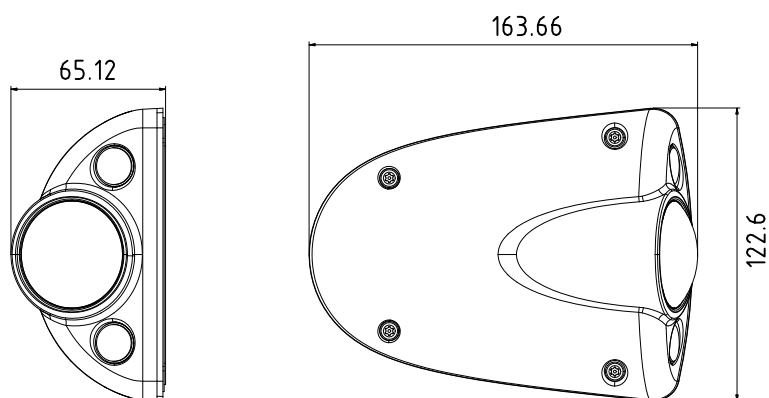
Line Crossing Detection	Cross a pre-defined virtual line
Intrusion Detection	Enter and loiter in a pre-defined virtual region
Region Entrance	Enter a pre-defined virtual region from the outside place
Region Exit	Exit from a pre-defined virtual region
Unattended Baggage	Objects left over in the pre-defined region such as the baggage, purse, dangerous materials
Object Removal	Objects removed from the pre-defined region, such as the exhibits on display.
Exception Detections	Scene change detection, defocus detection
Face Detection	Human face appears in the image can be detected and trigger linkage method
Interface	
Communication Interface	-IM: M12 aviation plug -I: 1 RJ45 10M/100M Ethernet port
General	
Operating Conditions	-40 °C to 70 °C (-40 °F to 158 °F), Humidity 95% or less (non-condensing)
Power Supply	DC12V; PoE (802.3af)
Power Consumption	Max. 8.5W
IR Range	30-50m
Protection Level	IP68, IK10
Dimensions	163.7 × 122.6 × 65.1 mm (6.4" × 4.8" × 2.6")
Weight	960g (2.1lbs)

Order Models

DS-2XM6522WD-I: a RJ45 network interface and a power supply interface

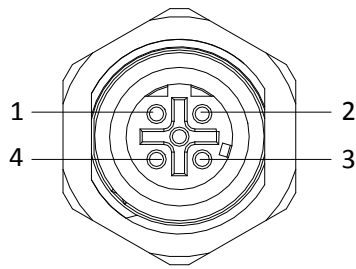
DS-2XM6522WD-IM: an M12 aviation plug

Dimension



Unit: mm

Interface Description



	M12 Wire	R-J45 Wire
TX+	1	1
TX-	3	2
RX+	2	3
RX-	4	6

M12 Interface Description



CENTRAL SECURITY DISTRIBUTION

An Anixter Company

1300 319 499

csd.com.au